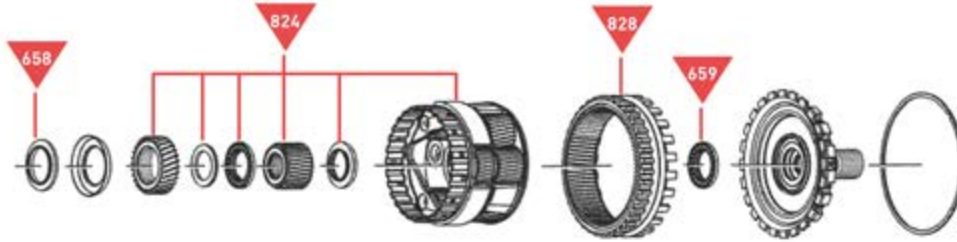
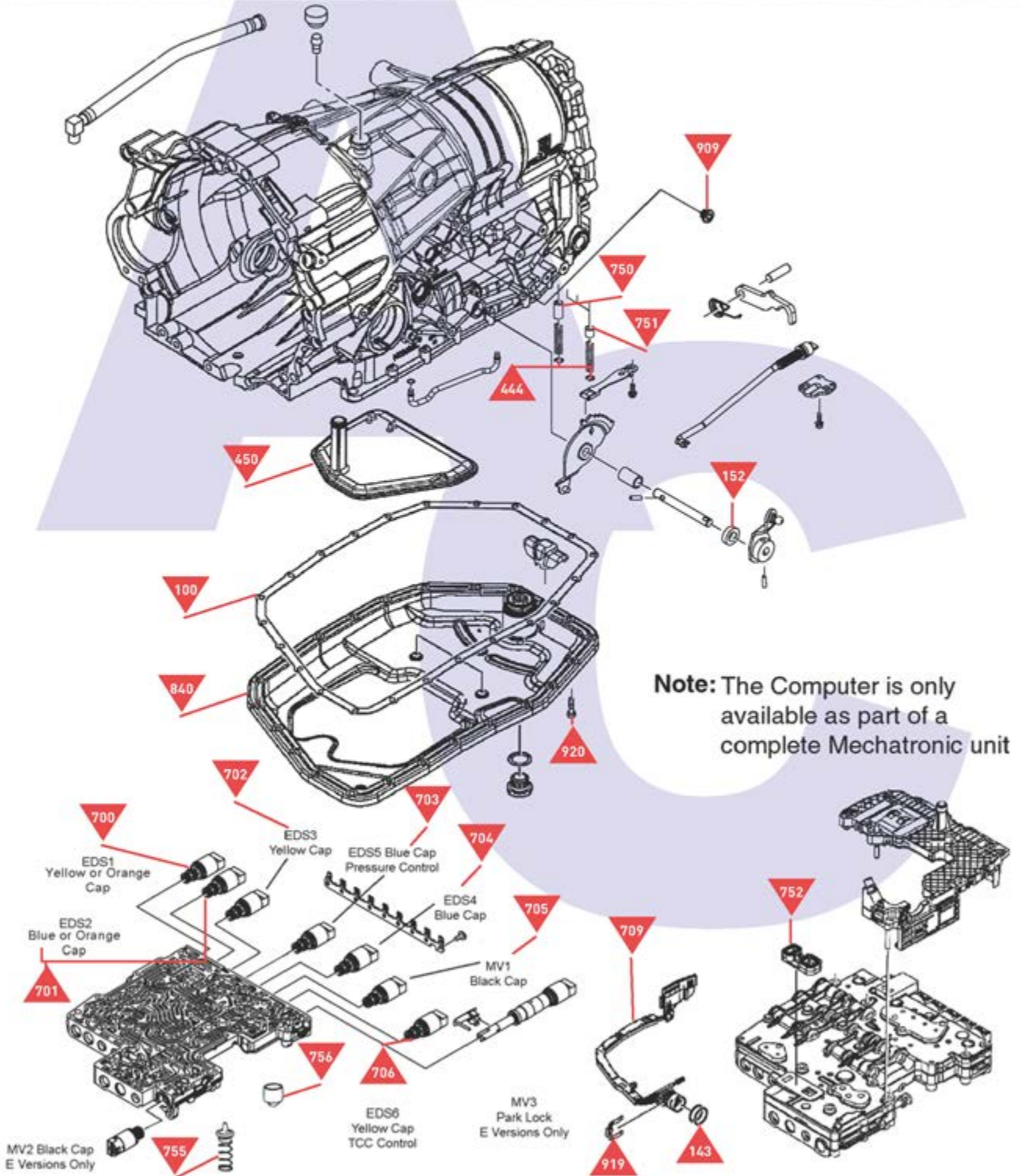
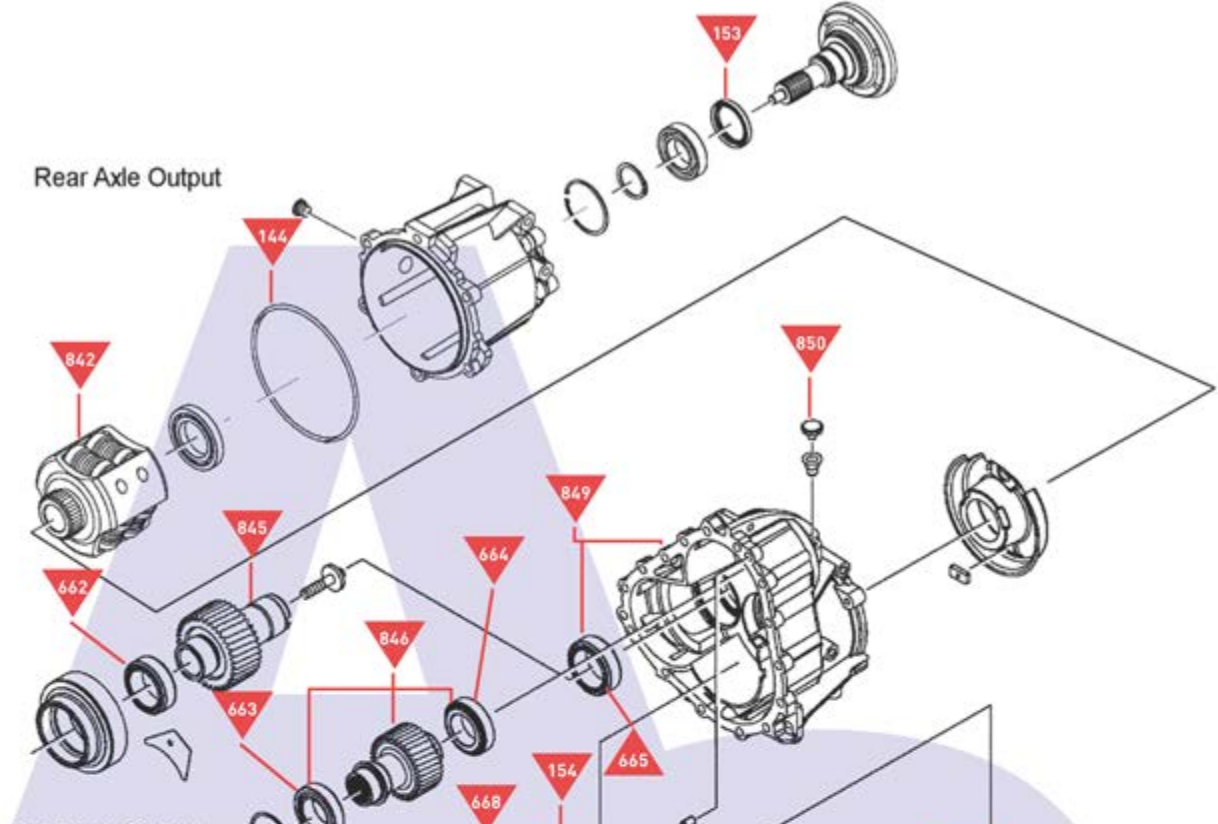
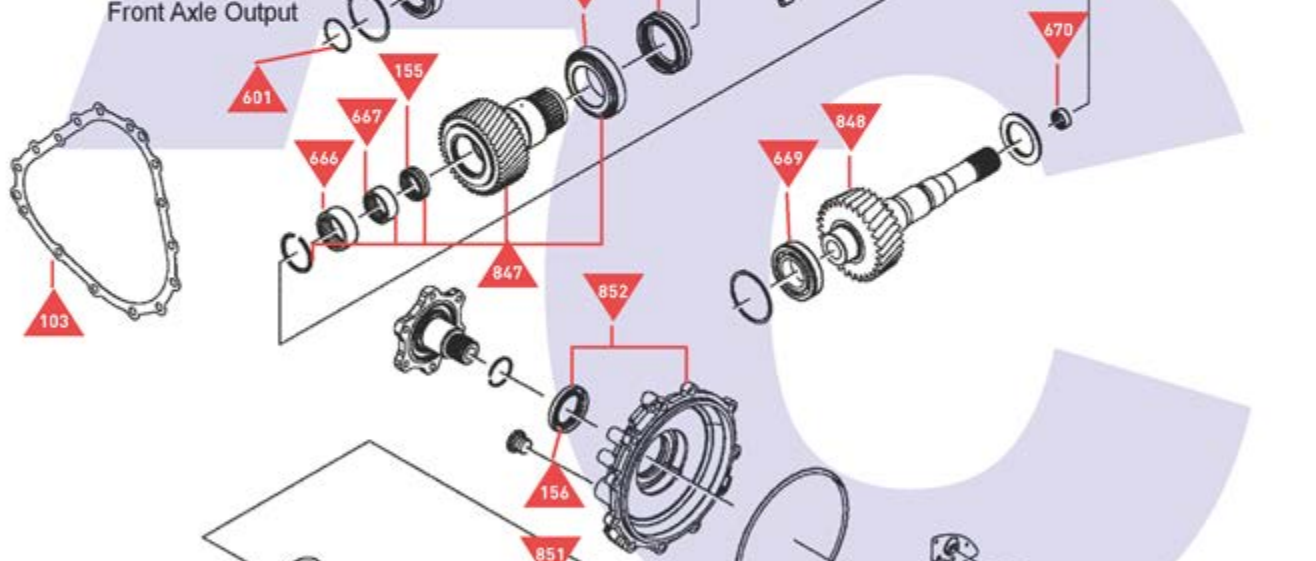


H**Rear Planetary Assembly****J**

Rear Axle Output



Front Axle Output



Front Axle Differential

