

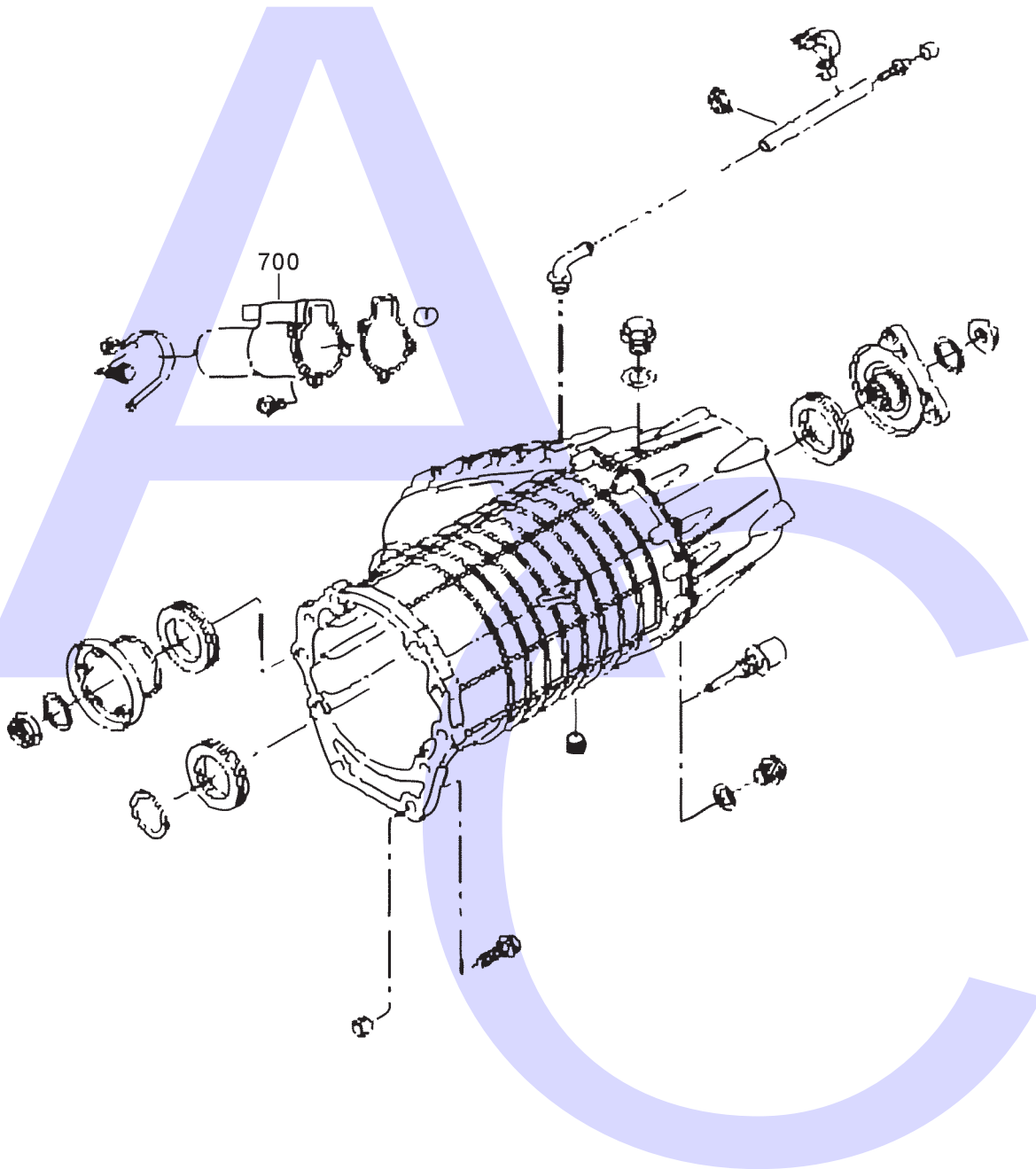
# NV 235 (VW Touareg, Porsche Cayenne) Full Time 4WD With Centre Diff & Active Clutch System



A  
U  
T  
O  
M  
A  
T  
I  
C  
C  
H  
O  
I  
C  
E



T  
H  
E  
A  
U  
T  
O  
M  
A  
T  
I  
C  
T  
R  
A  
N  
S  
M  
I  
S  
S  
I  
O  
N  
P  
A  
R  
T  
S  
W  
A  
R  
E  
H  
O  
U  
S  
E



# NVG 235 (VW Touareg, Porsche Cayenne)

## Full Time 4WD With Centre Diff & Active Clutch System



AUTOMATIC CHOICE



THE AUTOMATIC TRANSMISSION PARTS WAREHOUSE

ILL NO.	DESCRIPTION	YEARS	QTY	PART NO
<b>MASTER OVERHAUL KITS</b>				
<b>OVERHAUL GASKET AND SEAL KITS</b>				
Kit	Gasket & Seal Kit.....	03-ON	1	YNVG235.GSK01
<b>GASKET &amp; RUBBER COMPONENTS</b>				
<b>METAL CLAD SEALS</b>				
<b>CLUTCH PLATES</b>				
NI	Friction Plate (Internal Spline) (126.7mm OD x 1.65mm x 50T)	03-ON	7	YNVG235.FRP51
NI	Friction Plate (External Spline) (96.9mm ID x 1.65mm x 16T) ...	03-ON	7	YNVG235.FRP52
<b>BUSHINGS, BEARINGS &amp; WASHERS</b>				
<b>DRIVE CHAINS</b>				
NI	Drive Chain .....	03-ON	1	YNVG235.CH01
<b>ELECTRICAL COMPONENTS</b>				
700	Shift Motor Assembly .....	03-ON	1	YNVG235.ELE01
<b>HARD PARTS</b>				
<b>MOUNTINGS</b>				
<b>TRANSFER CASE ASSY'S</b>				
Unit	Transfer Case Assembly (Touareg 2.5 TDi) <b>(Electric Motor not Included)</b>			
	Vehicle Details Required.....	03-ON	1	YNVG235.ASSY01
Unit	Transfer Case Assembly (Touareg 2.5L TDi, 6AT & 6MT, 3.0L TDi V6, 3.2L V6, 3.6L FSi V6, 6MT) <b>(Electric Motor not Included)</b>			
	Vehicle Details Required.....	03-ON	1	YNVG235.ASSY07

ILL NO.	DESCRIPTION	YEARS	QTY	PART NO
<b>TRANSFER CASE ASSY'S Cont...</b>				
Unit	Transfer Case Assembly (Touareg 3.0L TDi V6, 4.2L V8, 4.9L & 5.0L TDi V10, 6AT) <b>(Electric Motor not Included)</b>			
	Vehicle Details Required.....	02-ON	1	YNVG235.ASSY06
Unit	Transfer Case Assembly <b>Reman</b> (Touareg 3.0L TDi V6, 4.2L V8, 4.9L & 5.0L TDi V10, 6AT) <b>(Electric Motor not Included)</b>			
	Vehicle Details Required.....	02-ON	1	YNVG235.ASSY06A
Unit	Transfer Case Assembly (Touareg 3.2L V6, 3.6L FSi V6, 6AT) <b>(Electric Motor not Included)</b>			
	Vehicle Details Required.....	03-ON	1	YNVG235.ASSY08
Unit	Transfer Case Assembly <b>Reman</b> (Touareg 3.2L V6, 3.6L FSi V6, 6AT) <b>(Electric Motor not Included)</b>			
	Vehicle Details Required.....	03-ON	1	YNVG235.ASSY08A
Unit	Transfer Case Assembly (Porsche Cayenne 4.5 S Tiptronic, Turbo & Turbo S Tiptronic, 6AT) (4.8 GTS Tiptronic, S Tiptronic, Turbo & Turbo S Tiptronic, 8AT) <b>(Electric Motor not Included)</b>			
	Vehicle Details Required.....	02-ON	1	YNVG235.ASSY02
Unit	Transfer Case Assembly (Porsche Cayenne 4.5L S, Turbo & Turbo S, 6MT) <b>(Electric Motor not Included)</b>			
	Vehicle Details Required.....	02-ON	1	YNVG235.ASSY03
Unit	Transfer Case Assembly <b>Reman</b> (Porsche Cayenne 4.5L S, Turbo & Turbo S, 6MT) <b>(Electric Motor not Included)</b>			
	Vehicle Details Required.....	02-ON	1	YNVG235.ASSY03A
Unit	Transfer Case Assembly (Porsche Cayenne 3.2L & 3.6L V6, 6MT) <b>(Electric Motor not Included)</b>			
	Vehicle Details Required.....	02-ON	1	YNVG235.ASSY04
Unit	Transfer Case Assembly, <b>Reman</b> (Porsche Cayenne 3.2L Tiptronic, 6AT & 3.6L Tiptronic, 8AT) <b>(Electric Motor not Included)</b>			
	Vehicle Details Required.....	02-ON	1	YNVG235.ASSY05A
<b>TOOLS &amp; MANUALS</b>				