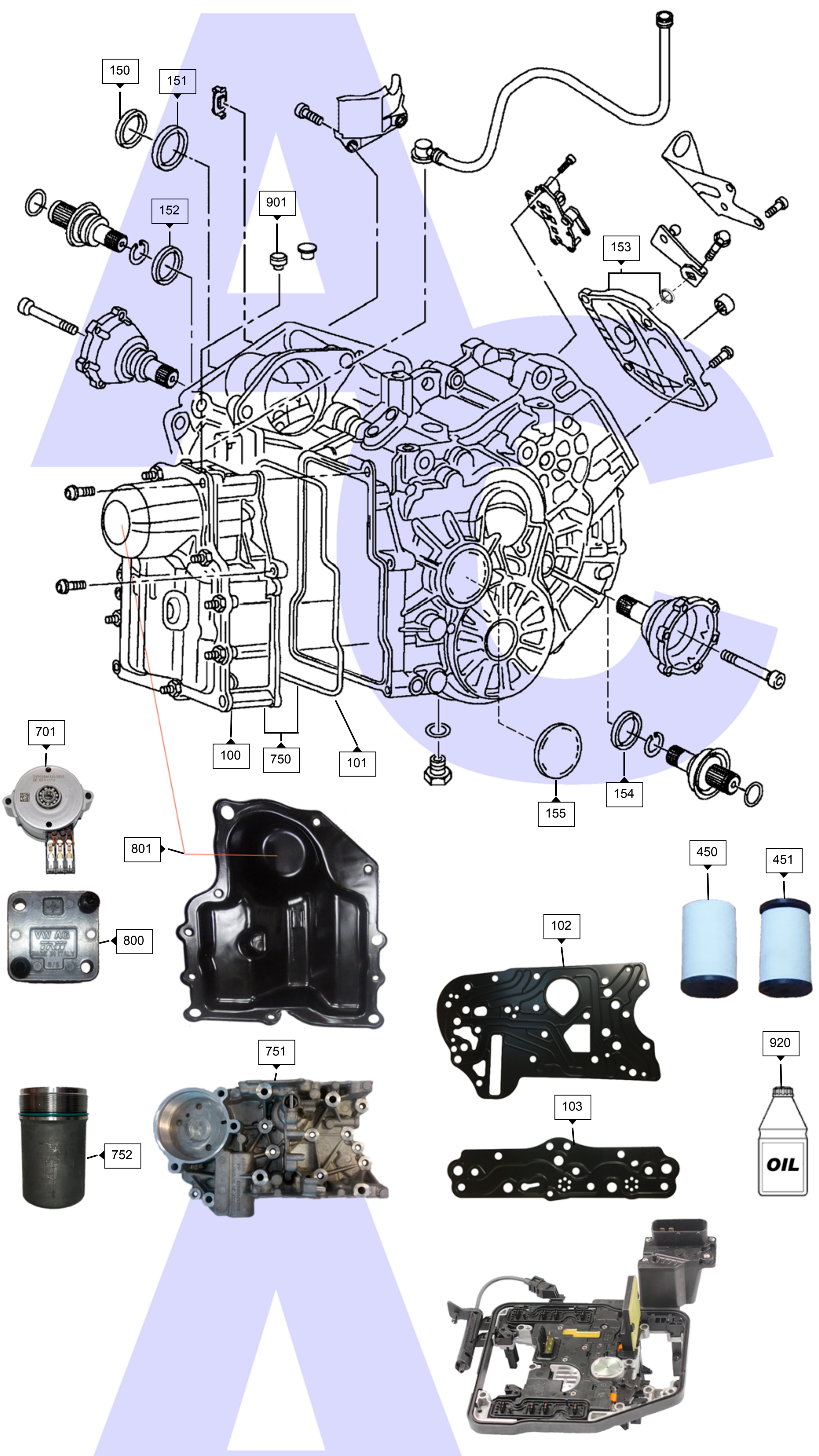


A



Bearing Kits (000179)

REF	DESCRIPTION	QUANTITY	PART NO
	# 0AM 7 SPEED DSG BEARING AND SEAL KIT (10 Bearings)	1	0AM.BSK01

Bearings (000174)

REF	DESCRIPTION	QUANTITY	PART NO
	0AM DSG 7-SPEED CAGE NEEDLE BEARING (28x24x17) 0AM 311 432 A	1	0AM.BE01
	0AM BEARING DIFF. SMALL - 41x68x13.5/17.8	1	0AM.BE02
	# 0AM BEARING DIFF. LARGE SIZE - 50 x 80 x 21.5 mm	1 - 2	0AM.BE03
	# 0AM DSG 7-SPEED TAPPED SHAFT BRG 25 x 52 x 16	1	0AM.BE04
	0AM DSG 7-SPEED NEEDLE BEARING (30x41x25) VAG 0AM 311 115 D	1	0AM.BE05
	0AM DSG 7-SPEED NEEDLE BEARING (25.05x35x25)VAG 0AM 311 150C	1	0AM.BE06
	0AM DSG 7-SP ROLLER BEARING (25.00x52.00x16.25) 0AM 311 123A	1	0AM.BE07
	#0AM SELECTOR FORK SLIDING BEARING (5.94x18.16x26) 2 PER BOX	1	0AM.BE08
	0AM DSG 7-SP ROLLER BEARING (25.00x52.00x16.25) 0AM 311 941A	1	0AM.BE09
	# 0AM DSG 7-SP TAPERED BEARING (30.00x68.00x16.40)	1	0AM.BE10
	0AM DSG 7-SP BALL BRG 40 x 68 x 15 INPUT SHAFT	1	0AM.BE11
	0AM DSG 7-SP BALL BRG 25 x 62 x 17 INPUT SHAFT	1	0AM.BE12
	0AM DSG 7-SP TAPPED BRG 41 x 68 x 18 DIFF BEARING	1	0AM.BE13

Electrical Parts (000250)

REF	DESCRIPTION	QUANTITY	PART NO
	USED 0AM/DQ200 DSG 7-SPEED SOLENOID BLOCK (4PCS)	1	0AM.SOL01

Filters (000150)

REF	DESCRIPTION	QUANTITY	PART NO
450	# 0AM/DQ200 DSG 7-SPEED FILTER MECHATRONIC (W/O UPPER COVER)	1	0AM.FIL11
451	#0AM/DQ200 DSG 7-SPEED FILTER MECHATRONIC (WITH UPPER COVER)	1	0AM.FIL12

Friction Plate Kits (000135)

REF	DESCRIPTION	QUANTITY	PART NO
	# 0AM DSG 7 SPEED CLUTCH KIT PETROL > 05/11	1	0AM.CK01
	# 0AM DSG 7 SPEED CLUTCH KIT TDI > 05/11	1	0AM.CK02
	# 0AM DSG CLUTCH KIT PETROL 06/11 > with selected shims	1	0AM.CK03
	# 0AM DSG CLUTCH KIT TDI 06/11 > with selected shims	1	0AM.CK04
	*** USE 0AM.CK03 *** 0AM PETROL 06/11 > (with out/shims)	1	0AM.CK23
	*** USE 0AM.CK04 *** 0AM TDI 06/11 > (w/o shims)	1	0AM.CK24
	# 0AM DSG CLUTCH KIT 3 CYLINDER 1.4 DIESEL	1	0AM.CK25

Gasket & Seal Kits (000115)

REF	DESCRIPTION	QUANTITY	PART NO
	# 0AM/DQ200 VALVE BODY GASKET KIT	1	0AM.GK01
	# 0AM/DCT 7-SPEED GASKET & SEAL KIT DSG	1	0AM.GSK11
	# 0AM DQ200 MECHATRONIC OVERHAUL KIT / SUB KIT	1	0AM.SUBKIT01

Gaskets (000120)

REF	DESCRIPTION	QUANTITY	PART NO
100	# 0AM/DQ200 MECHATRONIC COVER GASKET	1	0AM.GAS01
101	# 0AM/DQ200 MECHATRONIC TO CASE RUBBER SEAL	1	0AM.GAS02
102	0AM VALVE BODY METAL GASKET	1	0AM.GAS03
103	0AM VALVE BODY SOLENOID HOUSING METAL GASKET	1	0AM.GAS04

Hard Parts (000240)

REF	DESCRIPTION	QUANTITY	PART NO
	0AM/DQ200 DSG 7-SPEED VALVEBODY COVERPLATE	1	0AM.COV12
	0AM- DQ200 DSG 7 SP DUAL MASS FLYWHEEL 03L 105 266AJ	1	0AM.FLY01
	# 0AM- DQ200 DSG 7 SP DUALMASS FLYWHEEL 03G 105 266BL/CF	1	0AM.FLY02
	# 0AM DMF VAG 03L 105 266 CQ DP	1	0AM.FLY03
	0AM- DQ200 DSG 7 SP DUAL MASS FLYWHEEL 03F 105 266	1	0AM.FLY04
	0AM- DQ200 DSG 7 SP DUAL MASS FLYWHEEL 036 105 266 C	1	0AM.FLY06
	# 0AM SELECTOR FORKS SET	1	0AM.SEL01
	VW 02J SYNCRO RING 3 PC MIDDLE 1st GEAR	1	X-02J.SYNC02
155	0AM PINION NUT COVER (OEM)	1	0AM.COV01
155	0AM/DQ200 PINION NUT COVER (AM)	1	0AM.COV11
701	USED 0AM/DQ200 DSG 7-SPEED MOTOR FOR HYDRAULIC PUMP	1	0AM.PUM01
800	0AM/DQ200 DSG 7-SPEED OIL PUMP	1	0AM.PUM02
801	0AM VB PAN NEW	1	0AM.PAN01

Metal Clad Seals (000125)

REF	DESCRIPTION	QUANTITY	PART NO
150	# 0AM INPUT SHAFT METAL CLAD SEAL INNER 20 x 28 x 8	1	0AM.MCS02
151	# 0AM INPUT SHAFT METAL CLAD SEAL OUTER 40 x 56 x 8	1	0AM.MCS01
152	# 0AM RH DRIVESHAFT METAL CLAD SEAL 48 x 62 x 8	1	0AM.MCS03
153	0AM/DQ200. SELECTOR SHAFT OIL SEAL & COVER PLATE	1	0AM.MCS05
154	# 0AM LH DRIVESHAFT METAL CLAD SEAL 60 x 74.3 x 8	1	0AM.MCS04

Overhaul Kits (000110)

REF	DESCRIPTION	QUANTITY	PART NO
	0AM/DQ200 DUAL DRY CLUTCH OVERHAUL KIT 2007- TRANSTEC	1	0AM.OHK01
	# 0AM/DQ200 DUAL DRY CLUTCH OVERHAUL KIT 2007- AUTOLINE	1	0AM.OHK03

Sealing Ring & O-Ring Kits (000195)

REF	DESCRIPTION	QUANTITY	PART NO
	# 0AM 7SP DSG O-RING AND SEAL KIT	1	0AM.ORK01
	0AM DSG 7-SPEED O-RING KIT FOR SOLENOIDS	1	0AM.ORK02

Small Hard Parts (000220)

REF	DESCRIPTION	QUANTITY	PART NO
	0AM DSG 7-SPEED SLEEVE (18.16x20.00x37.10) VAG 0AM 311 683 A	1	0AM.SL01
901	AG4 CASE BREATHER CAP (DIFF SIDE)	1	AG4.BRE01

Specials & Oils (000260)

REF	DESCRIPTION	QUANTITY	PART NO
920	# VW/AUDI 0AM TRANSMISSION OIL 1L	1	0AM.OIL01
920	# VW/AUDI 0AM MECHATRONIC OIL 1L	1	0AM.OIL02

Transmission Tools N (000280)

REF	DESCRIPTION	QUANTITY	PART NO
	VW 08D 6 SPEED MANUAL SUPPORT BRIDGE	1	08D.TOOL01
	N/L/A SEE TOOL.225 VW GEN 1 ONLY... DSG 7 SPEED -	1	0AM.TOOL01
	0AM DSG 7-SPEED - TOOL - ASSEMBLY LEVER MECHATRONIC	1	0AM.TOOL02
	0AM K1 K2 CLUTCH RELEASE BRG SET TOOL GEN 1 (OEM)	1	0AM.TOOL03
	# 0AM VW GENERATION 2 SUBKIT FOR USE WITH 0AM.TOOL01	1	0AM.TOOL04
	# VW GROUP GEN1 & 2 SUB KIT USE WITH TOOL.225	1	0AM.TOOL05
	0AM/DSG 7-SP TOOLKIT FOR GEN.1 / GEN.2 & PLUG-IN HYBRID	1	0AM.TOOL06
	0AM/DSG 7-SP SUPPLEMENT TOOLKIT FOR 0AM.TOOL06	1	0AM.TOOL07
	0AM K1 K2 CLUTCH RELEASE BRG SET TOOL GEN 2 (OEM)	1	0AM.TOOL08
	0AM DSG 7 SPEED INPUT SEAL EXTRACTOR TOOL	1	0AM.TOOL09
	0AM DSG 7 SPEED INPUT SEAL INSTALLER TOOL	1	0AM.TOOL10
	0AM MECHATRONIC GUIDE BOLT/PIN	1	0AM.TOOL11
	0AM CLUTCH INSTALL/PRESSING TOOL	1	0AM.TOOL12
	# VW DUAL CLUTCH REMOVAL TOOL	1	0AM.TOOL13
	0AM, 0CW, DQ200 SELECTOR LEVER SETTING TOOL	1	0AM.TOOL14
	# 0AM, 0CW DQ200 DUAL CLUTCH REMOVAL AND INSTALL TOOL	1	0AM.TOOL15
	# BASIC TOOL KIT FOR LUK 2 CLUTCH TRANSMISSIONS	1	TOOL.225

Valve Body N (000241)

REF	DESCRIPTION	QUANTITY	PART NO
		1	
750	0AM MECHATRONIC (ORDER WITH VIN)	1	0AM.VB01
750	0AM MECHATRONIC 0AM 325 025D sw ZHL	1	0AM.VB02
750	VAG 0AM-DSG 7-SPEED MECHATRONIC REPAIR	1	0AM.VB31

Valve Body Parts (000262)

REF	DESCRIPTION	QUANTITY	PART NO
751	0AM VALVE BODY HOUSING NEW UPDATED	1	0AM.VA01
752	0AM ACCUMULATOR NEW (PRESSURISED)	1	0AM.ACC01

Washers, Torringtons & Shims (000170)

REF	DESCRIPTION	QUANTITY	PART NO
	GEN 2 CLUTCH SMALL ADJUSTING WASHER 53X42.6X0.8	1	0AM.SHIM01
	GEN 2 CLUTCH SMALL ADJUSTING WASHER 53X42.6X1.0	1	0AM.SHIM02
	GEN 2 CLUTCH SMALL ADJUSTING WASHER 53X42.6X1.2	1	0AM.SHIM03
	GEN 2 CLUTCH SMALL ADJUSTING WASHER 53X42.6X1.4	1	0AM.SHIM04
	GEN 2 CLUTCH SMALL ADJUSTING WASHER 53X42.6X1.6	1	0AM.SHIM05
	GEN 2 CLUTCH SMALL ADJUSTING WASHER 53X42.6X1.8	1	0AM.SHIM06
	GEN 2 CLUTCH SMALL ADJUSTING WASHER 53X42.6X2.0	1	0AM.SHIM07
	GEN 2 CLUTCH SMALL ADJUSTING WASHER 53X42.6X2.2	1	0AM.SHIM08
	GEN 2 CLUTCH SMALL ADJUSTING WASHER 53X42.6X2.4	1	0AM.SHIM09
	GEN 2 CLUTCH SMALL ADJUSTING WASHER 53X42.6X2.6	1	0AM.SHIM10
	GEN 2 CLUTCH SMALL ADJUSTING WASHER 53X42.6X2.8	1	0AM.SHIM11
	GEN 2 CLUTCH LARGE ADJUSTING WASHER 82.5X64X1.5	1	0AM.SHIM12
	GEN 2 CLUTCH LARGE ADJUSTING WASHER 82.5X64X1.7	1	0AM.SHIM13
	# GEN 2 CLUTCH LARGE ADJUSTING WASHER 82.5X64X1.9	1	0AM.SHIM14
	GEN 2 CLUTCH LARGE ADJUSTING WASHER 82.5X64X2.1	1	0AM.SHIM15
	GEN 2 CLUTCH LARGE ADJUSTING WASHER 82.5X64X2.3	1	0AM.SHIM16
	GEN 2 CLUTCH LARGE ADJUSTING WASHER 82.5X64X2.5	1	0AM.SHIM17
	GEN 2 CLUTCH LARGE ADJUSTING WASHER 82.5X64X2.7	1	0AM.SHIM18
	GEN 2 CLUTCH LARGE ADJUSTING WASHER 82.5x64x2.9	1	0AM.SHIM19
	GEN 2 CLUTCH LARGE ADJUSTING WASHER 82.5X64X3.1	1	0AM.SHIM20
	GEN 2 CLUTCH LARGE ADJUSTING WASHER 82.5X64X3.3	1	0AM.SHIM21
	GEN 2 CLUTCH LARGE ADJUSTING WASHER 82.5X64X3.5	1	0AM.SHIM22
	0AM CLUTCH KIT SELECTIVE SHIM 63 x 42 x 0.8mm	1	0AM.THW01