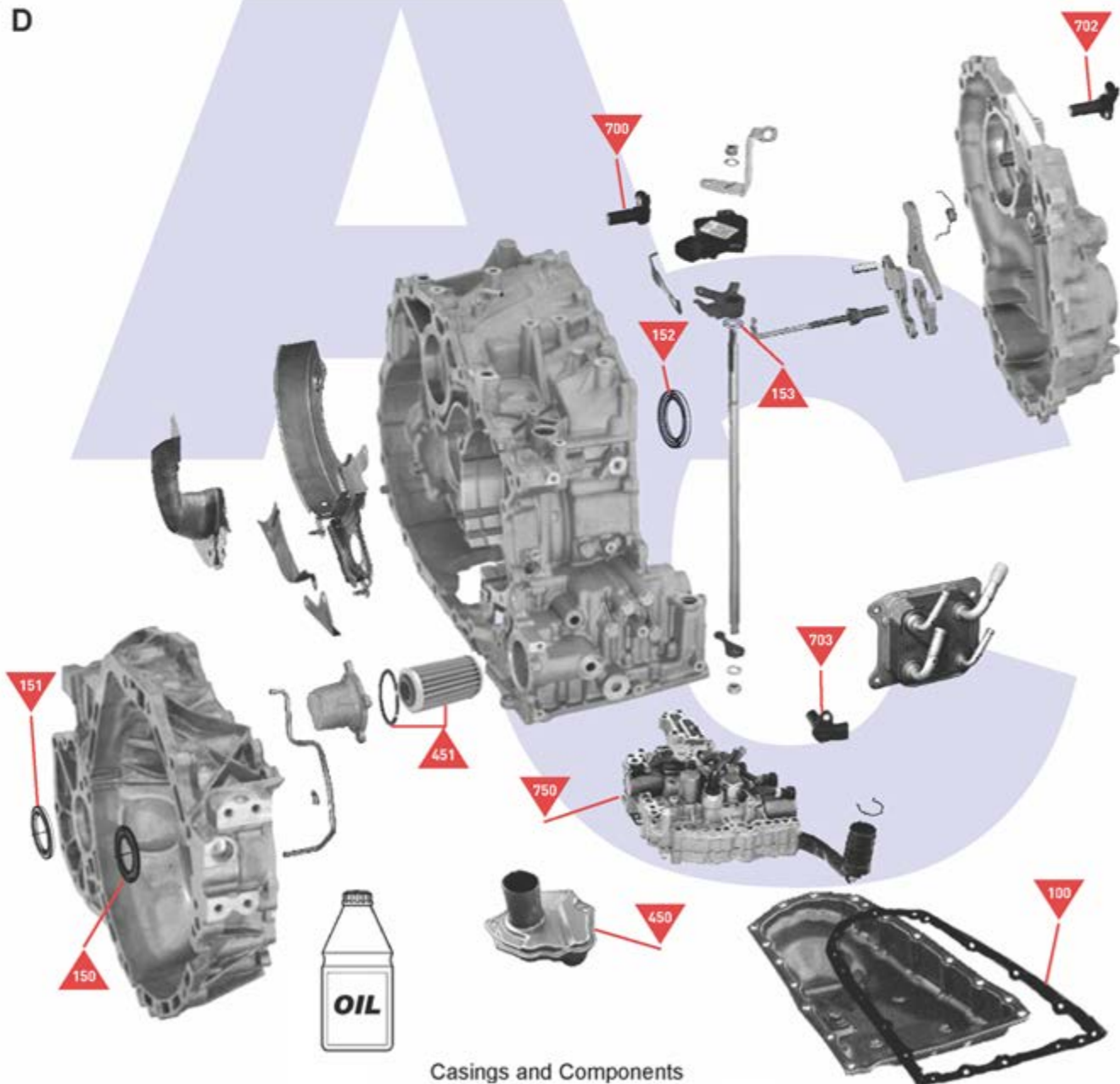
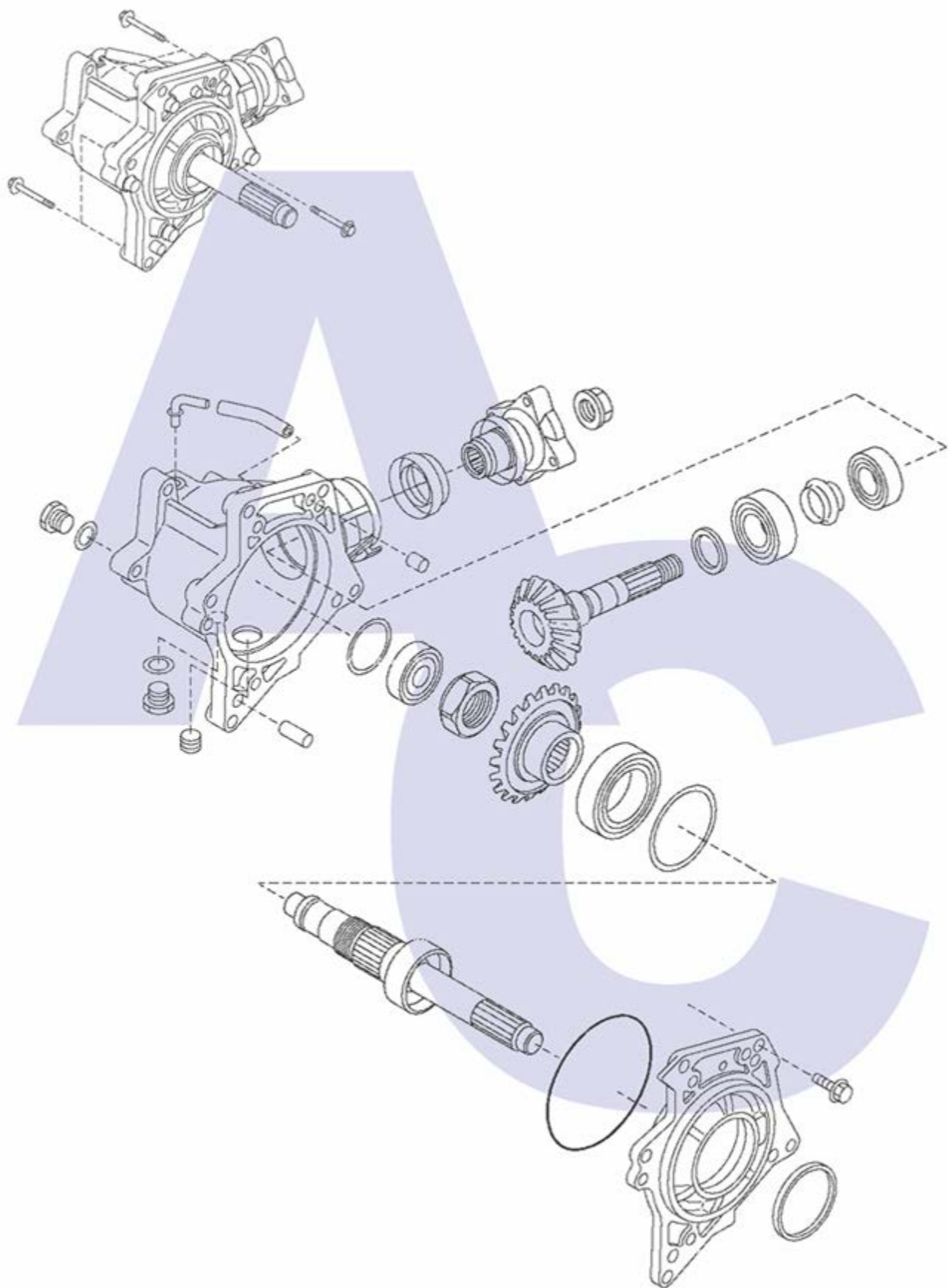


C**Pully Set****Differential and Transfer Gears****D****Casings and Components**

E

Angle Drive PTU