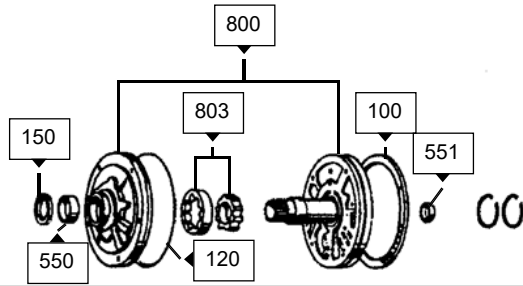
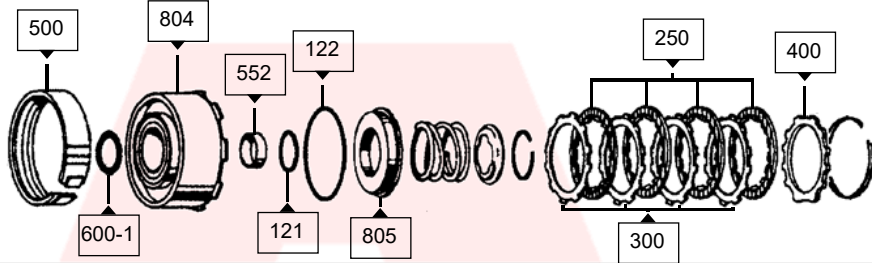


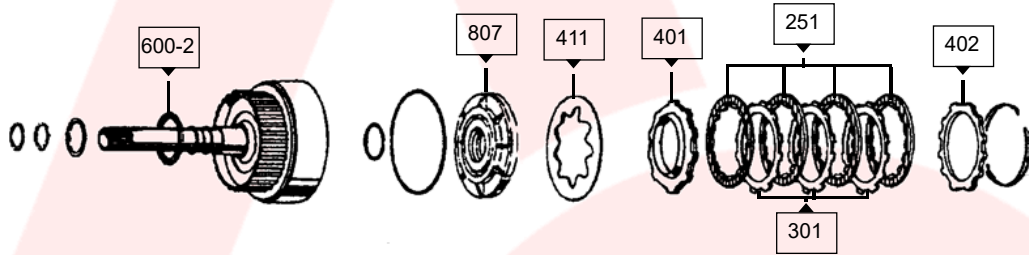
A



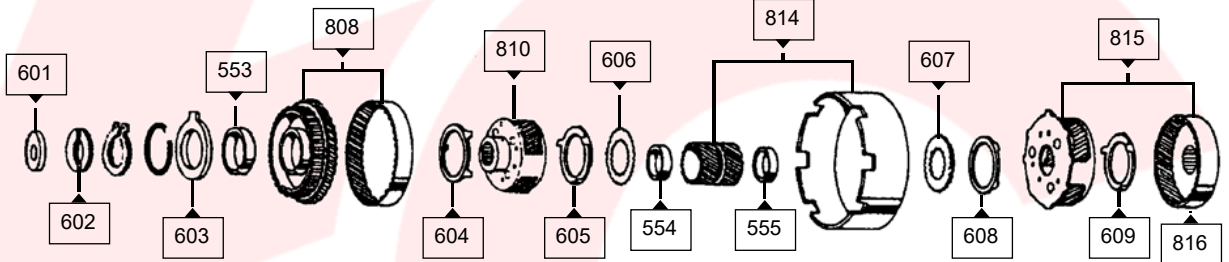
B



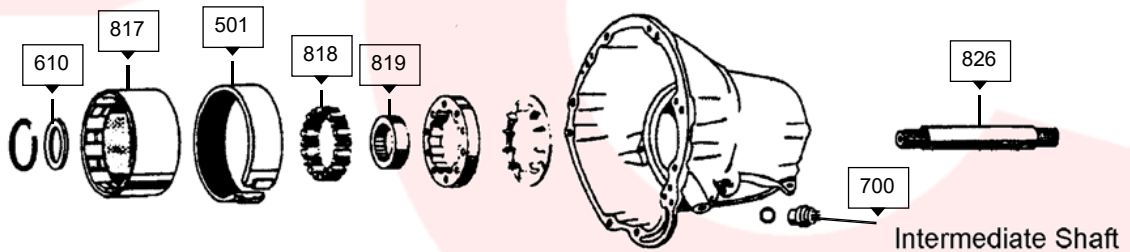
C



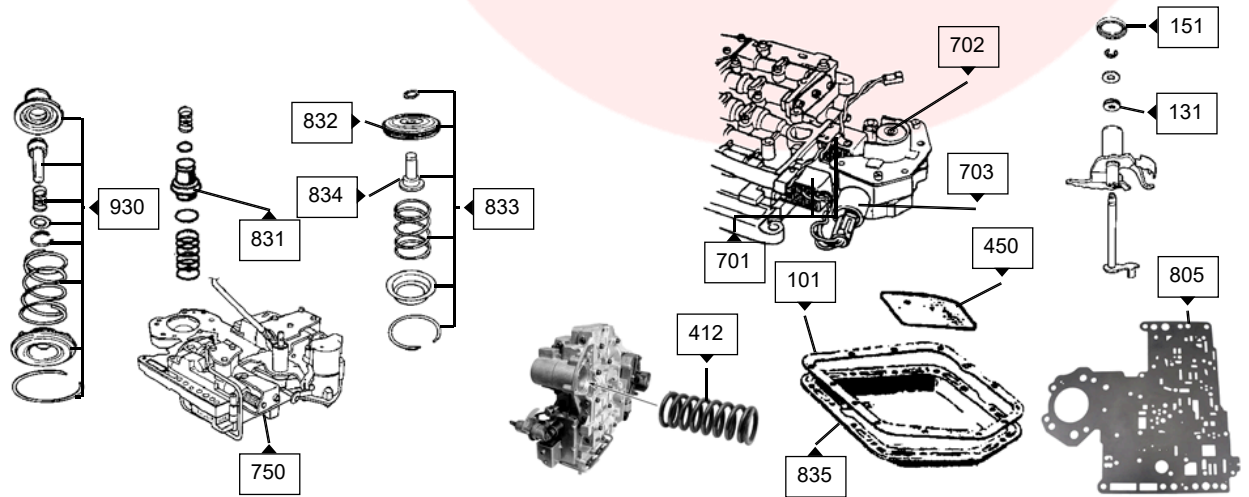
D



E

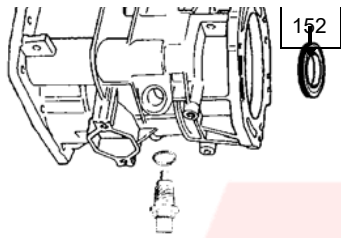


F

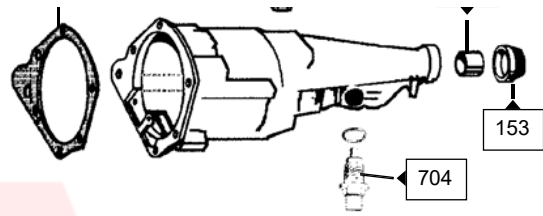


G



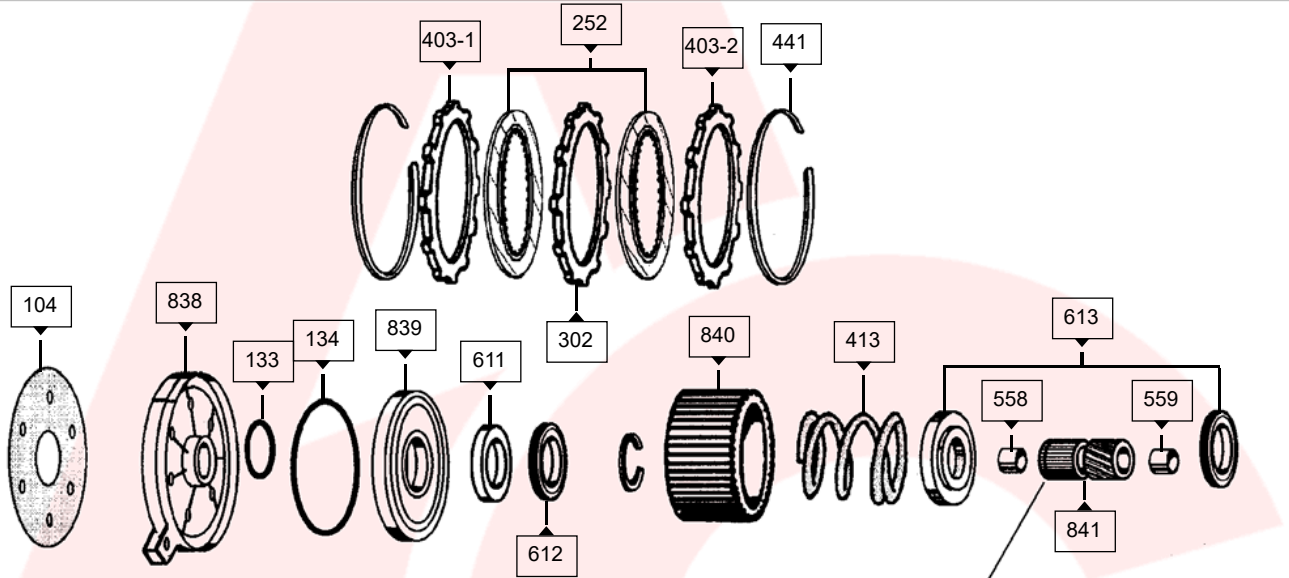


4WD Adaptor Housing



2WD Extension Housing

H



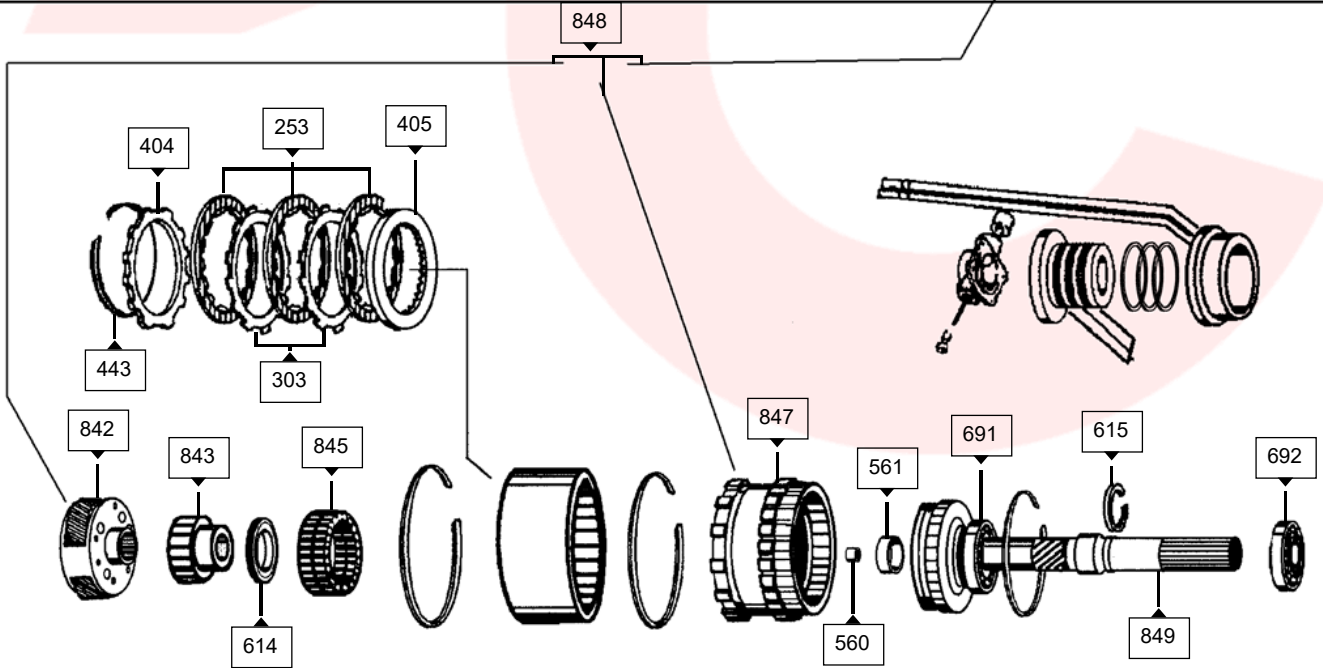
Overdrive Piston & Housing

Direct Clutch Hub

Thrust Plate

Overdrive Sun Gear

K



One Way Cam

Roller & Spring Assy

Direct Clutch Housing

Ring Gear

2WD Output Shaft

ACE

Basic Overhaul Parts

REF	DESCRIPTION	QUANTITY	PART NO
	A500 COMPLETE BUSH KIT 88-UP	1	A500.BK02
	A500 FRICTION KIT	1	A500.FRK01
	SMOD A500 88+	1	A500.FRK51

Bearings, Bushings & Washers

REF	DESCRIPTION	QUANTITY	PART NO
	A500/18 BUSH KIT O/D SECTION	1	A500.BK01
	A500 COMPLETE BUSH KIT 88-UP	1	A500.BK02
	A500 THRUST WASHER KIT 88->	1	A500.TWK01

	FMOD A500 40RH 89+	1	A500.FRK52
	A500 O/HAUL KIT 89- TRANSTEC	1	A500.OHK01
	OHK A500 42RH/42RE 89+	1	A500.OHK51
	OHK A500 42RE/44RE 99-00	1	A500.OHK52
	A500 STEEL PLATE KIT	1	A500.STK01
	SMOD A500 40RH/42RH/42RE/44RE 88+	1	A500.STK51
	SMOD A500 40RH 88+	1	A500.STK52
	JEEP 4.0L T/C	1	A500.TC01
	DODGE RAM TC	1	A500.TC02
	A500 CONV. JEEP CHEROKEE	1	A500.TC03
	4.0 GRAND CHEROKEE 96- 90 DEGREE	1	A500.TC04
	A500 OFFSET 5.2 LITRE 90-UP 122 TOOTH RINGGEAR	1	A500.TC05
	A500 90 DEGREE 3.9 LITRE 96-UP	1	A500.TC06
	A500 90 DEGREE 5.2 96-UP 130 TOOTH RINGGEAR	1	A500.TC07
	A500 90 DEGREE 3.9 96-UP 122 TOOTH RINGGEAR	1	A500.TC08
	CONV. CHRYSLER GRAND CHEROKEE 3.1 LTR	1	A500.TC09
	CHRYSLER A500 LU 627	1	A500.TC10
	A500 TORQUE CONVERTER *NO CODE*	1	A500.TC100
	A500 THRUST WASHER KIT 88->	1	A500.TWK01
	A500/518 BEARINGKIT	1	A500.TWK02
	A518 FILTER OD PISTON RETAINER 90-	1	A518.FIL02
	A518/500 FRICTION KIT OVERDRIVE HP	1	A518.FRK65
450	A518/ A500 /A618 FILTER PLASTIC 98-	1	A518.FIL01
450	TF8 /A500 LARGE DACRON FILTER (1966-2004)	1	TF8.FIL01
450	TF8 BRASS ELEMENT FILTER 62-	1	TF8.FIL03
500	TF6/A500 FRONT FLEX BAND 61-91 (35MM WIDE)	1	TF6.BAN02
500	TF6/A500 FRONT SOLID BAND 61-91 (35MM WIDE)	1	TF6.BAN03
500	INTERMEDIATE OFFSET LUGS RIGID 76-	1	TF6.BAN04
500	TF6/A500 FRONT FLEX BAND 92-UP (41MM WIDE)	1	TF6.BAN05
500	TF6/A500 FRONT FLEX BAND 92-06 (41MM WIDE) HIGH PERFORMANCE PRO SERIES	1	TF6.BAN07
500	TF6/A500 FRONT BAND - WIDTH 40MM - FLEXIBLE - ODD ENDS - AFTERMARKET	1	TF6.BAN08
501	TF6/A500 REVERSE BRAKE BAND - 51MM - REMANUFACTURED	1	TF6.BAN06
501	TF6/A500 REVERSE BRAKE BAND - 51MM - RAYBESTOS	1	TF6.BAN16
750	A500 VALVE BODY REBUILD NO TUBE/NO VALVE	1	A500.VB04
750	A500 VALVE BODY REBUILD WITH VALVE / NO TUBE	1	A500.VB05
750	A500 VALVE BODY REBUILD WITH TUBE&VALVE	1	A500.VB06
750	VB 42/44RE EARLY PRESS.SENSOR SMALL PUMP INLET	1	A500.VB07
750	VB REBUILD 42/44RE EARLY PRESS.SEN LARGE P.INLET	1	A500.VB08
750	VALVEB. REB 42RE/44RE LATE PR. SENS SMALL PUMP INL.	1	A500.VB09
750	VALVEB. REB. 42/44RE LATE PRES.SENS. LARGE PUM	1	A500.VB10

	A500/518 BEARINGKIT	1	A500.TWK02
	A500 SHIMKIT	1	A500.TWK03
	A618/42RE/48RE CASE REPAIR WASHER	1	A618.THW03
	TH180/TF8/POWERGLIDE PUMP BOLT WASHER	7 - 12	TH180.WA01
	CONV. BUSHING CHRYSLER	1	Z-CH-B-2
	CONV. BEARING ENCLOSED 10 L/U (48x72x4.7)	1	Z-CH-N-1
	CONV. BEARING VW	1	Z-TW-2-4-X
550	62TE/A500/A604/A606/TF6 PUMP BUSHING	1	A604.BUS01
550	BW55/AW PUMP BUSHING	1	BW55.BUS01
550	62TE/A500/A604/A606/TF6 PUMP BUSH BRONZE	1	TF6.BUS01
551	TF6 BUSH REACT-SHFT-SPT 78-UP	1	TF6.BUS02
552	A500 REAR BUSHING FRONT DRUM 92-UP	1	A500.BUS03
552	A500 FRONT BUSHING FRONT DRUM 92-UP	1	A500.BUS04
552	TF6/A500 BUSH FRONT DRUM -92 (SINGLE BUSHING DRUM) (21.9MM)	1	TF6.BUS04
553	TF6/A500 BUSHING FRT RINGGEAR	1	TF6.BUS06
554	A500 BUSHING SUNGEAR	2	A500.BUS09
556	EXT BUSH 66-	1	TF6.BUS03
558	A500/518 BUSHING SUNGEAR OD W/FLANGE FRT	1	A500.BUS07
559	A500/518 BUSHING SUNGEAR OD REAR	1	A500.BUS06
560	A500/A518 BUSHING OUTPUT SHAFT (15.4MM)	1	A500.BUS05
560	A500/518 BUSHING OVERDRIVE OUTPUT SHAFT PILOT 90-UP	1	A518.BUS01
561	A500/A518 BUSHING OUTPUT SHAFT (54.5MM)	1	A500.BUS08
600-1	TF6 WASHER FRT CL-FIBRE 71-UP (1.57MM)	2	TF6.THW01
601	TF6 RACE OUTPUT SFT TO INPUT (90-UP)	1	TF6.TOR01
601	CUP RACE OUTPUT SHAFT TO INPUT (-89)	1	TF6.TOR04
602	TF6 WASHER OUTPUT SFT .052 (90-UP, METAL, 3 TAB)	AR	TF6.THW06
602	TF6 WASHER OUTPUT SFT .068 (90-UP, METAL, 3 TAB)	AR	TF6.THW07
602	TF6 WASHER OUTPUT SFT .083 (90-UP, METAL, 3 TAB)	AR	TF6.THW08
603	A500/518 WASHER RACE FRONT	1	A518.THW11
603	TF6/A500 WASHER FORW. DRUM	1	TF6.THW13
604	TF6 WASHER FR.+REAR PLT 4 INNER TANGS 80-UP	2 - 4	TF6.THW02
606	TF6 WASHER DRIVE SHELL TH/PL 60-UP (28 TEETH)	2	TF6.THW03
610	A500.WASHER RR DRUM/SNAPRING	1	TF6.THW10
611	A500/518 WASHER SEL. OD CLUTCH .168-.170	AR	A518.THW07
611	A500/518 WASHER SEL. OD CLUTCH .183 -.185	AR	A518.THW08
611	A500/518 WASHER SEL. OD CLUTCH .198 -.200	AR	A518.THW09
611	A500/518 WASHER SEL. OD CLUTCH .213 -.215	AR	A518.THW10
611	A500/518 WASHER SEL. OD CLUTCH .155	AR	A518.THW13
611	A500/518 WASHER SEL. OD CLUTCH .228	AR	A518.THW15
611	A500/518 WASHER SEL. OD CLUTCH .243	AR	A518.THW16
611	A500/518 SHIMKIT OD	1	A518.TK04
612	TF6 BEARING-OD PLANET 88-UP	1	TF6.TOR02
613	A500/A518 O/DRIVE SPRING RET & TORRINGTON KIT	1	A500.TK01
613	A500/A518 THRUST PLATE & BEARING	1	A518.THW04
614	TF6 BEARING OD PLANETARY 88-UP	1	TF6.TOR03
615	A500/518 SPACER/SHIM 4.95MM	1	A500.THW04
615	A500/518 SPACER/SHIM 4.45MM	1	A500.THW05
615	A500/518 SPACER/SHIM 4.01MM	1	A500.THW06
615	A500/518 SPACER/SHIM 5.35 MM	1	A500.THW07
691	A518 BEARING OUTPUTSHAFT FRT	1	A518.THW02
692	A518 BEARING OUTPUTSHAFT REAR	1	A518.THW03

Bolts, Nuts & Mounting Parts

REF	DESCRIPTION	QUANTITY	PART NO
	TF6/TF8/A500/A518/45RFE TC FEET BOLTS	1	45RFE.NUT01
	A518/500 SLEEVE FILLER TUBE	1	A518.OR01

Brake Bands, Servos & Parts

REF	DESCRIPTION	QUANTITY	PART NO
500	TF6/A500 FRONT FLEX BAND 61-91 (35MM WIDE)	1	TF6.BAN02
500	TF6/A500 FRONT SOLID BAND 61-91 (35MM WIDE)	1	TF6.BAN03
500	INTERMEDIATE OFFSET LUGS RIGID 76-	1	TF6.BAN04
500	TF6/A500 FRONT FLEX BAND 92-UP (41MM WIDE)	1	TF6.BAN05
500	TF6/A500 FRONT FLEX BAND 92-06 (41MM WIDE) HIGH PERFORMANCE PRO SERIES	1	TF6.BAN07
500	TF6/A500 FRONT BAND - WIDTH 40MM - FLEXIBLE - ODD ENDS - AFTERMARKET	1	TF6.BAN08
501	TF6/A500 REVERSE BRAKE BAND - 51MM - REMANUFACTURED	1	TF6.BAN06
501	TF6/A500 REVERSE BRAKE BAND - 51MM - RAYBESTOS	1	TF6.BAN16
832	A500/TF6 SUPER SERVO LOW & REVERSE	1	A500.SER01
832	"TF6 REAR SERVO PISTON 2.54" OD (SONNAX)"	1	TF6.SER01
833	REAR SERVO ASSEMBLY A500	1	TF6.SER03

834	REVERSE SERVO PISTON PLUG KIT	1	TF8.SER06
930	FRONT SERVO ASSEMBLY (6 CYLINDER)	1	TF6.SER04

Clutches, Flywheels & Parts

REF	DESCRIPTION	QUANTITY	PART NO
	CONV. RING GEAR CHRYSLER 10-3/4" (LU & NLU) TF6/904, A500	1	Z-CH-RG-122

Drums, Clutch Hubs & Shafts

REF	DESCRIPTION	QUANTITY	PART NO
	A500/518 PLUG & PILOT SET INTERM.SHAFT (5x)	1	A518.VA02
804	TF6/A500 DRUM DIRECT 1992 5PL 6.25inch OD (1 BUSHING)	1	A500.DRU01
804	TF6/A500 DRUM DIRECT 93-98 5PL 6.25 OD (2 BUSHINGS)	1	A500.DRU02
804	"TF6/A500 DRUM DIRECT 99-UP 5PL 6.25" (USES LIPSEALS IN DRUM)" - USED	1	A500.DRU06
804	"TF6/A500 DRUM DIRECT 76-91 5PL 6.00" OD (1 BUSHING)"	1	TF6.DRU01
804	"TF6/A500 DRUM DIRECT 93-98 4PL 6.25" OD (2 BUSHINGS)"	1	TF6.DRU04
817	TF6/A500 DRUM REVERSE BAND 88-89 (NO INNER WASHER)	1	A500.DRU03
817	TF6/A500 DRUM REVERSE BAND 90-UP (INNER WASHER TYPE)	1	A500.DRU07
826	A500 SHAFT INTERM 88-89	1	A500.SH01
826	A500 SHAFT INTERM 90-	1	A500.SH02
838	A500 HOUSING PISTON OD W/O GOV.FEED.HOLES	1	A500.DRU04
838	A500 HOUSING PISTON OD W/ O-RING COMBY	1	A500.DRU05
840	A500/518 CLUTCH HUB, OVERDRIVE (3" TALL)	1	A518.HUB02
849	"A500/A518 OUTPUT SHAFT - RWD - 1 1/16" GOV. SLOT"	1	A500.SH03
849	"A500/A518 OUTP.SHAFT - 4WD - 9.250" LONG - 1 7/16" GOV. SLOT"	1	A500.SH04
849	A500/A518 OUTP.SHAFT - 4WD - 9.250 LONG - 1 1/16 GOV. SLOT	1	A518.SH03
849	"A500/A518 OUTPUT SHAFT - RWD - 1 7/16" GOV. SLOT"	1	A518.SH04

Electrical Parts

REF	DESCRIPTION	QUANTITY	PART NO
	A500 INSULATOR-NEUTRAL SAFETY	1	A500.VA02
	A500/518 INSULATOR KIT NEUTRAL SAFETY	1	A500.VA05
	A518/500 EXTERNAL HARNESS 8 PIN REPAIR	1	A518.ELE03
	A500/518 SOLENOID UPGRADE KIT 89-95	1	A518.SOL04
700	TF8/TF6/A604 INHIBITOR SWITCH SHORT	1	TF8.INH01
700	A500/518 INHIBITER SWITCH 98-	1	TF8.INH03
700	A518/618 NEUTRAL SAFETY SWITCH 5 PRONG 01-	1	TF8.INH04
701	SOLENOID L/UP + 4TH 3 PRONG 90-95	1	A518.SOL01
701	4TH GEAR SOL- W/O LOCK UP 89-95	1	A518.SOL02
701	A500/518 SOLENOID L/U + 4TH (2) 8 PIN 96-99 ROUND PLUG	1	A518.SOL06
701	A518 SOLENOID FOURTH +L/U W/HARNES 2000- SQR PLUG	1	A518.SOL08
702	A518 SOLENOID GOV PRESS 2 PRONG 93- (OEM)	1	A518.SOL03
702	A518/618 SOLENOID GOVERNOR PRESSURE-2 PR WHITE CONN. 96- (BW)	1	A518.SOL09
702	46/47/48RE UPGRADED GOV PRESS SOENOID AND HOUSING	1	A518.SOL23
703	A500/A518 3 PIN GOVERNOR PRESSURE SENSOR (CAN ALSO USE A518.ELE02 + A518.SOL06 TO UPDATE TO MORE RELIABLE 4 PIN SENSOR)	1	A518.ELE01
703	A518/500 SENSOR GOV PRESS 4PR 96-99	1	A518.ELE02
703	A518 SOLENOID GOVERNOR PRESS.SENSOR 2000-	1	A518.SOL07
704	A604/A500/518/606 OUTPUT SPEED SENSOR	1	A604.ELE01

Filters & Screens

REF	DESCRIPTION	QUANTITY	PART NO
	A518 FILTER OD PISTON RETAINER 90-	1	A518.FIL02
450	A518/ A500 /A618 FILTER PLASTIC 98-	1	A518.FIL01
450	TF8 /A500 LARGE DACRON FILTER (1966-2004)	1	TF8.FIL01
450	TF8 BRASS ELEMENT FILTER 62-	1	TF8.FIL03

Friction & Steel Plates

REF	DESCRIPTION	QUANTITY	PART NO
	A500 FRICTION KIT	1	A500.FRK01
	SMOD A500 88+	1	A500.FRK51
	FMOD A500 40RH 89+	1	A500.FRK52
	A500 STEEL PLATE KIT	1	A500.STK01
	SMOD A500 40RH/42RH/42RE/44RE 88+	1	A500.STK51
	SMOD A500 40RH 88+	1	A500.STK52
	A518/500 FRICTION KIT OVERDRIVE HP	1	A518.FRK65
250	TF6/A500/A904 T/R DIRECT FRICTION PLATE	3 - 5	TF6.FRP01
250	TF6/A500 DIRECT CLUTCH DOUBLE SIDED FRICTION PLATE	3 - 5	TF6.FRP52
251	FRICTION A500/TF6 REAR PARALLEL LINES	3 - 4	A500.FRP51
251	TF6/500/A904 FWD CLUTCH FRICTION PLATE	3 - 4	TF6.FRP02
251	TF6/A500 FORWARD CLUTCH DOUBLE SIDED FRICTION PLATE	3 - 4	TF6.FRP53
252	500/518 FRICTION OVERDRIVE BRAKE 6.075	3 - 5	A518.FRP02
252	500/518 FRICTION OVERDRIVE BRAKE 6.075 RB	3 - 5	A518.FRP07
252	A518/A618 OD DIRECT FRICTION High Energy	2 - 5	A518.FRP10
253	A500/A518/A618 OD DIRECT FRIC .063 SMOOTH	6 - 8	A518.FRP03
300	STEEL PLATE FRONT/REAR .068	2 - 5	TF6.STP01
300	FRONT/REAR STEEL .088 OVERSIZE	AR	TF6.STP02
300	A500 STEEL PLATE DIRECT V-NOTCHET TH 1999-	4 - 5	TF6.STP03
302	O/DRIVE BRAKE STEELS .068	2 - 9	A518.STP01
303	O/DRIVE DIRECT STEELS .069	5 - 8	A518.STP02
303	A518 STEEL PLATE O.D./DIRECT .055	9	A518.STP03

Gaskets, Seals & Closing Parts

REF	DESCRIPTION	QUANTITY	PART NO
	A500/518 GASKET SOLENOIDKIT	1	A518.GAS04
	A518/500 SLEEVE FILLER TUBE	1	A518.OR01
100	TF6/A500 GASKET PUMP	1	TF6.GAS02
101	TF6/A500 PAN GASKET CORK	1	TF6.GAS01
101	TF6/A500 GASKET PAN FIBRE	1	TF6.GAS10
101	A500 GASKET OILPAN BONDED RUBBER	1	TF6.GAS11
103	A500/518 GASKET TAIL W/O CENTRE	1	A500.GAS03
104	A500 O/D HOUSING - CASE GASKET	1	A500.GAS04

Governors, Modulators & Parts

REF	DESCRIPTION	QUANTITY	PART NO
	A518 GOVENOR SLEEVE 89-93	1	A518.GOV01
	TF ALL VALVE PRIMARY GOVERNOR	1	A518.GOV02
	A518 GOVERNOR SUPPORT	1	A518.SUP01

Housings, Cases & Parts

400	TF6 PRESSURE PLATE FLAT - USED	1	TF6.PP01
401	TF6 PRESSURE PLATE BEVELED	1	TF6.PP02
403-1	A500/518 PRESSURE PLATE OD .376 X 5 ID	1	A518.PP01
403-1	A500/518 PRESSURE PLATE OD 5 ID 5.5 MM	1	A518.PP04
404	A518 PRESS.PLATE OD DIRECT STEPPED	1	A518.PP03
405	A500/518 PRESSURE PLATE OD (HAS INNER TEETH)	1	A518.PP02

REF	DESCRIPTION	QUANTITY	PART NO
835	A500 STEPPED PAN 3 DEEP	1	A500.PAN01

Manuals, Tools & Consumables

REF	DESCRIPTION	QUANTITY	PART NO
	TOOL KIT FOR 42RE.VA01 -	1	42RE.VA02
	A4LD REAMER SHIFT BUSHING (FOR A4LD.SL01)	1	A4LD.TOOL08
	A500SE/42RE ATSG MANUAL	1	A500.MAN01
	A500/518 TESTPLATE FOR VB TESTER - TOOL.139	1	A500.TOOL01
	TOOL FOR A500.VA03	1	A500.VA04
	A518 ATSG MANUAL	1	A518.MAN01
	A500/518 TOOL KIT FOR VALVE BODY	1	A518.TOOL02
	REAMER FOR A518.VA05	1	A518.VA06
	TOOL FOR A518.VA08	1	A518.VA09
	TOOLING VALVE BODY REAMING FIXTURE	1	AG4.VA05
	TOOL KIT FOR TF8.VA08	1	TF8.VA09
	TOOLING UNIVERSAL CLEARANCE GAUGE	1	TOOL.05
	VALVEBODY HYDRAULIC LEAKING TESTER	1	TOOL.139
	UNIVERSAL PUMP ALIGNMENT CLAMP TOOL	1	TOOL.29
	UNIVERSAL PUMP PULLER	1	TOOL.31
	TOOLING T-1081 SEAL REMOVER	1	TOOL.41

Metal Clad Seals & Seal Rings

REF	DESCRIPTION	QUANTITY	PART NO
	A500 SEALING RING KIT	1	A500.SRK01
	TF O-RING SPEEDO GEAR HSG	1	TF6.OR02
	TF6/8 SEAL RING KIT FOR 1-2 ACCUMULATOR	1	TF6.SRK02
120	TF6 O-RING PUMP	1	TF6.OR01
121	A500 DIRECT (FRONT) CLUTCH INNER 99-	1	A500.LIP02
122	A500 DIRECT (FRONT) CLUTCH OUTER 99-	1	A500.LIP01
131	TF SEAL TROTTLE LEVER SHAFT	1	TF6.MCS06
133	A500 LIP SEAL OVERDRIVE CLUTCH PISTON INNER	1	A500.OR01
134	A500 LIP SEAL OVERDRIVE CLUTCH PISTON OUTER	1	A500.OR02
150	TF6/A404/A604 PUMP OIL SEAL	1	TF6.MCS01
151	TF6/TF8 MANUAL CONTROL SEAL (WIDTH 9.53MM)	1	TF8.MCS04
152	TF6/A500/518 SEAL REAR 4WD 83-UP (65.20 mm OD)	1	TF6.MCS04
152	INPUT GEAR OIL SEAL SINGLE LIP CHRYSLER 68.30mm OD	1	YNP242.MCS01
153	TF8/C6SEAL EXTENSION/ WITH BOOT	1	TF8.MCS02
153	A500/C6/TH400 SEAL EXTENSION W/O BOOT (64-)	1	TH400.MCS02

One Way Clutches & Parts

REF	DESCRIPTION	QUANTITY	PART NO
818	TH200/TF6/A500 OWC LOW	1	TH200.OWC01
819	TF6/A500 OWC INNER RACE	1	TF6.OWC02
843	A500/518 INNER CAM OD OWC	1	A518.OWC06
845	OVERDRIVE OWC PLASTIC DUBBLE ROL 90-	1	A518.OWC02

Overhaul, Repair & Gasket Kits

REF	DESCRIPTION	QUANTITY	PART NO
	A500 O/HAUL KIT 89- TRANSTEC	1	A500.OHK01
	OHK A500 42RH/42RE 89+	1	A500.OHK51
	OHK A500 42RE/44RE 99-00	1	A500.OHK52

Pistons, Retainers & Springs

REF	DESCRIPTION	QUANTITY	PART NO
	TF8 ACCUMULATOR PISTON & SLEEVE KIT	1	TF8.ACC01
	727.904.42-46-47-48RH/RE ACCUM. PISTON KIT	1	TF8.ACC02
411	TF6 DIAPHRAGM RR CLUTCH	1	TF6.DIA01
413	A500/518 SPRING OD DRUM	1	A518.SPR02
805	TF6 PISTON DIRECT 78- (ONE BUSHING TYPE)	1	TF6.PIS01
805	TF6/A500 PISTON DIRECT 98- (NO SEAL TYPE)	1	TF6.PIS03
807	TF6 PISTON FORWARD ALL	1	TF6.PIS02
831	ACCUMULATOR ASSEMBLY A500	1	TF6.SER02
832	A500/TF6 SUPER SERVO LOW & REVERSE	1	A500.SER01
832	"TF6 REAR SERVO PISTON 2.54"" OD (SONNAX)"	1	TF6.SER01
839	A500/518 PISTON OD HOUSING 90-	1	A518.PIS01

Planets, Ring Gears & Hubs

REF	DESCRIPTION	QUANTITY	PART NO
615	A500/518 SPACER/SHIM 4.95MM	1	A500.THW04
615	A500/518 SPACER/SHIM 4.45MM	1	A500.THW05
615	A500/518 SPACER/SHIM 4.01MM	1	A500.THW06
615	A500/518 SPACER/SHIM 5.35 MM	1	A500.THW07
808	"TF6/A500 FRONT RING GEAR 75-92 (4.375" OD) -	1	TF6.PL06

Pump & Hydraulic Parts

REF	DESCRIPTION	QUANTITY	PART NO
800	TF6/A500 PUMP ASSY 78-92 L/U (2 LUG INNER PUMP GEAR)	1	TF6.PUM03
800	TF6/A500 PUMP ASSY 93-06 NON-L/U (2 BUSHINGS IN DIRECT DRUM)	1	TF6.PUM04
800	TF6/A500 PUMP ASSY 93-94 L/U (2 BUSHINGS IN DIRECT DRUM)	1	TF6.PUM05

808	"TF6/A500 FRONT RING GEAR 93-06 (5.00" OD / 2 TAB WASHER)"	1	TF6.PL07
810	"TF6/A500 PLANET FRT (FOR 5.00" OD RING GEAR)"	1	TF6.PL01
810	"TF6/A500 PLANET FRT (FOR 4.375" OD RING GEAR)"	1	TF6.PL05
815	TF6/A500 PLANET REAR 4 PINION 78-UP (STEEL) REPLACES 3 PIN	1	TF6.PL04
816	TF6/A500 RING GEAR WITH HUB REAR PLANET	1	TF6.PL03
842	A500/A518/A618 O/D PLANET 88-93 4 PINION (22 DEGREE PITCH)	1	A518.PL03
842	A500/A518/A618 O/D PLANET 94-UP 5 PINION (15 DEGREE PITCH)	1	A518.PL06
842	A500/A518/A618 O/D PLANET 88-93 5 PINION (22 DEGREE PITCH)	1	A518.PL07
842	A500/A518/A618 O/D PLANET 94-UP 6 PINION (15 DEGREE PITCH)	1	A518.PL08
847	A500/A518/A618 RING GEAR O/D PLANET 88-93 (22 DEGREE PITCH)	1	A518.PL04
847	A500/A518/A618 RING GEAR O/D PLANET 94-UP (15 DEGREE PITCH)	1	A518.PL05
848	A500/A518/A618 O/D PLANET KIT 4 PIN 88-93 (22 DEGREE PITCH)	1	A518.PLK02
848	A500/A518/A618 O/D PLANET KIT 5 PIN 88-UP (15 DEGREE PITCH)	1	A518.PLK05

800	TF6/A500 PUMP ASSY 95-06 L/U (2 BUSHINGS IN DIRECT DRUM)	1	TF6.PUM08
800	TF6/A500 PUMP ASSY, 2 FLATS, '93-'94, L/U (1 BUSHING IN DIRECT DRUM)	1	TF6.PUM09
803	TF6/A500 PUMP GEAR KIT 88-92 (HAS 2 LUGS)	1	TF6.PUM06

Snap & Retaining Rings

REF	DESCRIPTION	QUANTITY	PART NO
441	A500/518 OVERDRIVE BRAKE WAVY CIRCLIP	1	A500.CIR01
441	A500/A518/A618 OD SECTION CIRCLIP KIT	1	A518.CIR02
443	A518/A618 SNAP RING O/DR. DIR WAVED	1	A518.CIR01

Sun Gears, Shells & Supports

REF	DESCRIPTION	QUANTITY	PART NO
814	"TF6/A500 SHELL & SUN GEAR 93-UP - USED (6.375" OD)"	1	A500.POT01
841	A500/A518/A618 SUN GEAR 88-93 (22 DEGREE PITCH)	1	A500.SUN01
841	A500/A518/A618 SUN GEAR 94-UP (15 DEGREE PITCH)	1	A518.SUN02
848	A500/A518/A618 O/D PLANET KIT 4 PIN 88-93 (22 DEGREE PITCH)	1	A518.PLK02
848	A500/A518/A618 O/D PLANET KIT 5 PIN 88-UP (15 DEGREE PITCH)	1	A518.PLK05

Torque Converters & Parts

REF	DESCRIPTION	QUANTITY	PART NO
	TF6/TF8/A500/A518/45RFE TC FEET BOLTS	1	45RFE.NUT01
	JEEP 4.0L T/C	1	A500.TC01
	DODGE RAM TC	1	A500.TC02
	A500 CONV. JEEP CHEROKEE	1	A500.TC03
	4.0 GRAND CHEROKEE 96- 90 DEGREE	1	A500.TC04
	A500 OFFSET 5.2 LITRE 90-UP 122 TOOTH RINGGEAR	1	A500.TC05
	A500 90 DEGREE 3.9 LITRE 96-UP	1	A500.TC06
	A500 90 DEGREE 5.2 96-UP 130 TOOTH RINGGEAR	1	A500.TC07
	A500 90 DEGREE 3.9 96-UP 122 TOOTH RINGGEAR	1	A500.TC08
	CONV. CHRYSLER GRAND CHEROKEE 3.1 LTR	1	A500.TC09
	CHRYSLER A500 LU 627	1	A500.TC10
	A500 TORQUE CONVERTER *NO CODE*	1	A500.TC100
	CONV. HUB IMPELLER CHRY 1 7/8	1	Z-CH-90-16G
	CONV. HUB A500	1	Z-CH-90-18G
	CONV. BUSHING CHRYSLER	1	Z-CH-B-2
	CONV. FRONT COVER	1	Z-CH-CC-4
	CONV. BEARING ENCLOSED 10 L/U (48x72x4.7)	1	Z-CH-N-1
	CONV. RING GEAR CHRYSLER 10-3/4" (LU & NLU) TF6/904, A500	1	Z-CH-RG-122
	CONV. BEARING VW	1	Z-TW-2-4-X

Valve Bodies & Accumulators

REF	DESCRIPTION	QUANTITY	PART NO
	42-46-47-48RH/RE+A727/A904 OVERSIZED LOCKUP BOOST VALVE KIT	1	42RE.VA01
	TOOL KIT FOR 42RE.VA01 -	1	42RE.VA02
	A500 SURE CURE KIT SONNAX	1	A500.SCK01
	A500/518 JUNIOR SHIFT KIT	1	A500.SK01
	A500/518 SHIFTKIT UV SUPERIOR 90-98	1	A500.SK02
	A500 INSULATOR-NEUTRAL SAFETY	1	A500.VA02
	A500/518.VALVE SWITCH O/S SPOOL	1	A500.VA03
	TOOL FOR A500.VA03	1	A500.VA04
	A500/518 INSULATOR KIT NEUTRAL SAFETY	1	A500.VA05
	A500 VALVEBODY PLATE 88-94 W/O L/U BOOST TUBE	1	A500.VB01
	A500 VALVEBODY PLATE 95-UP W/ L/U BOOST TUBE	1	A500.VB02
	BOOST VALVE SPRING RETAINER CHRYSLER	1	A518.RET01
	A518/618 H.D. AND HIGH PERF REPROGRAM KIT 90-	1	A518.SK03
	A500/518 TOOL KIT FOR VALVE BODY	1	A518.TOOL02
	4 SPOOLED SWITCH VALVE	1	A518.VA01
	A518 PLUG & SLEEVE LINE PRESSURE KIT	1	A518.VA03
	A500/518 VALVE OS PR LUBE REGULATED	1	A518.VA04
	A500/518/45RFE PLUG KIT SOL. SWITCH VALVE	1	A518.VA05
	REAMER FOR A518.VA05	1	A518.VA06
	A500/518/618 VB DETENT BALL & SLEEVE KIT	1	A518.VA08
	TOOL FOR A518.VA08	1	A518.VA09
	A5100/A518/A618 TF BOOST REPAIR KIT TRANSGO	1	A518.VA11
	TOOLING VALVE BODY REAMING FIXTURE	1	AG4.VA05
	TF8 ACCUMULATOR PISTON & SLEEVE KIT	1	TF8.ACC01
	727.904.42-46-47-48RH/RE ACCUM. PISTON KIT	1	TF8.ACC02
	TF8 REGULATOR VALVE & PRESS.PLUG	1	TF8.VA02
	TF/A500/A518 MANUAL VALVE	1	TF8.VA03
	TF/A500/A518 VALVE PRESS.REG LUBE REGULATED	1	TF8.VA04
	CHRYSLER PLUG KIT GOVERNOR BORE	1	TF8.VA05
	TF8/6/500/518 VALVE KIT THROTTLE VALVE	1	TF8.VA08
	TOOL KIT FOR TF8.VA08	1	TF8.VA09
	TF8/6/500/518 VALVE KIT THROTTLE VALVE	1	TF8.VA11
412	A500/A518 SPRING 3-4 ACCUMULATOR	1	A518.SPR03
750	A500 VALVE BODY REBUILD NO TUBE/NO VALVE	1	A500.VB04
750	A500 VALVE BODY REBUILD WITH VALVE / NO TUBE	1	A500.VB05
750	A500 VALVE BODY REBUILD WITH TUBE&VALVE	1	A500.VB06
750	VB 42/44RE EARLY PRESS.SENSOR SMALL PUMP INLET	1	A500.VB07
750	VB REBUILD 42/44RE EARLY PRESS.SEN LARGE P.INLET	1	A500.VB08
750	VALVEB. REB 42RE/44RE LATE PR. SENS SMALL PUMP INL.	1	A500.VB09

750	VALVEB. REB. 42/44RE LATE PRES.SENS. LARGE PUM	1	A500.VB10	1. Home
805	A500 SEPARATOR PLATE	1	TF6.SP02	2. A500 Transmission Catalogue
831	ACCUMULATOR ASSEMBLY A500	1	TF6.SER02	

A500 Transmission Catalogue

For transmissions:

A500

- 4-speed
- Automatic Transmission
- Chrysler
- [Product map](#)
- [Products](#)

Map is interactive

Are you searching for parts? Please let us know

Currently we do not have a drawing and/or parts available (yet) for this transmission.
Are you looking for a specific part, please let us know. It will be our pleasure to help you find it.

Please fill in the form and we'll start the search for you!

Account Code *

Your Company Name *

Your Name

Your Email address *

Your Country *

Which part(s) are you looking for? *

Do you have an (OE) Number?

Make car

Model/ Type

Year

Engine

VIN

Upload File

[Choose file](#)

add jpg, png, pdf

Would you please fill in all the fields?

Quick order

Enter the AC part number to order. If you're not sure, you can [use our vehicle finder...](#)

[Proceed to checkout](#)

Recent searches:

AF40.SOL01	8HP45.SP03	JF015E.MCS52	4HP20.MCS55	AWF8G45.STP01
------------	------------	--------------	-------------	---------------