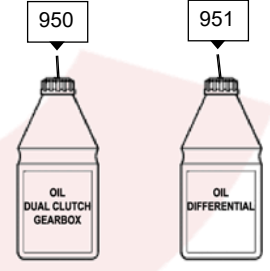
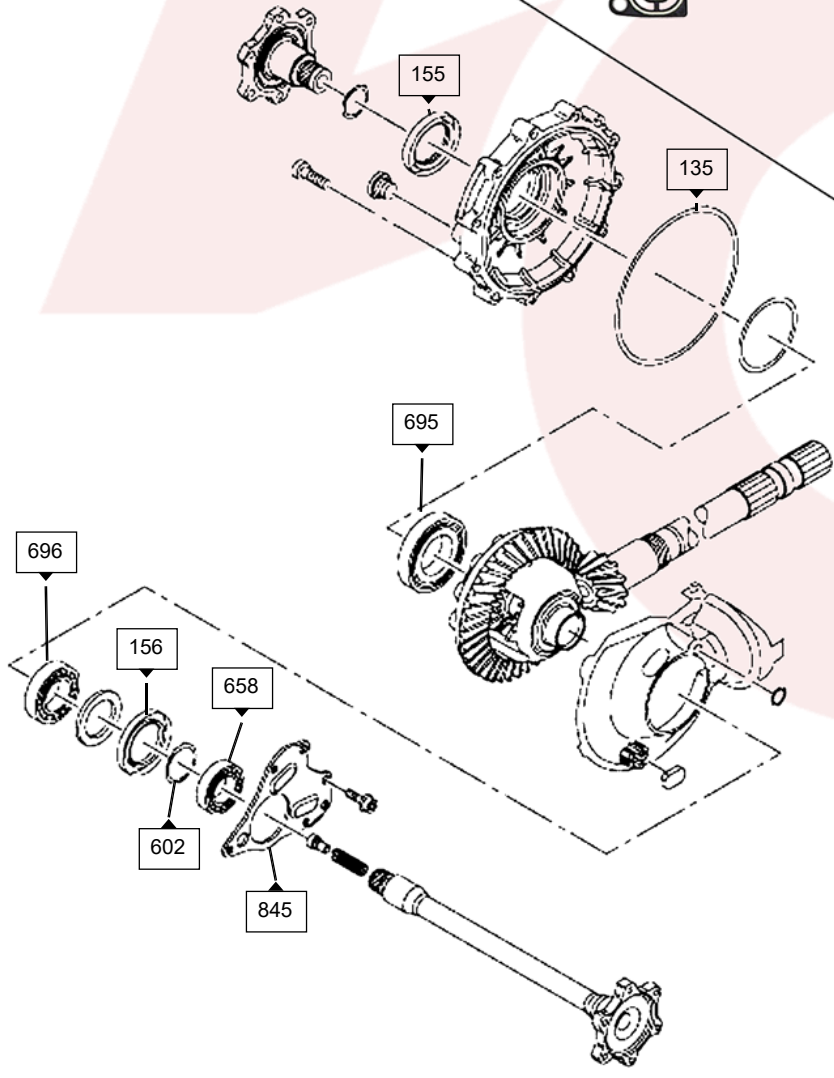


F

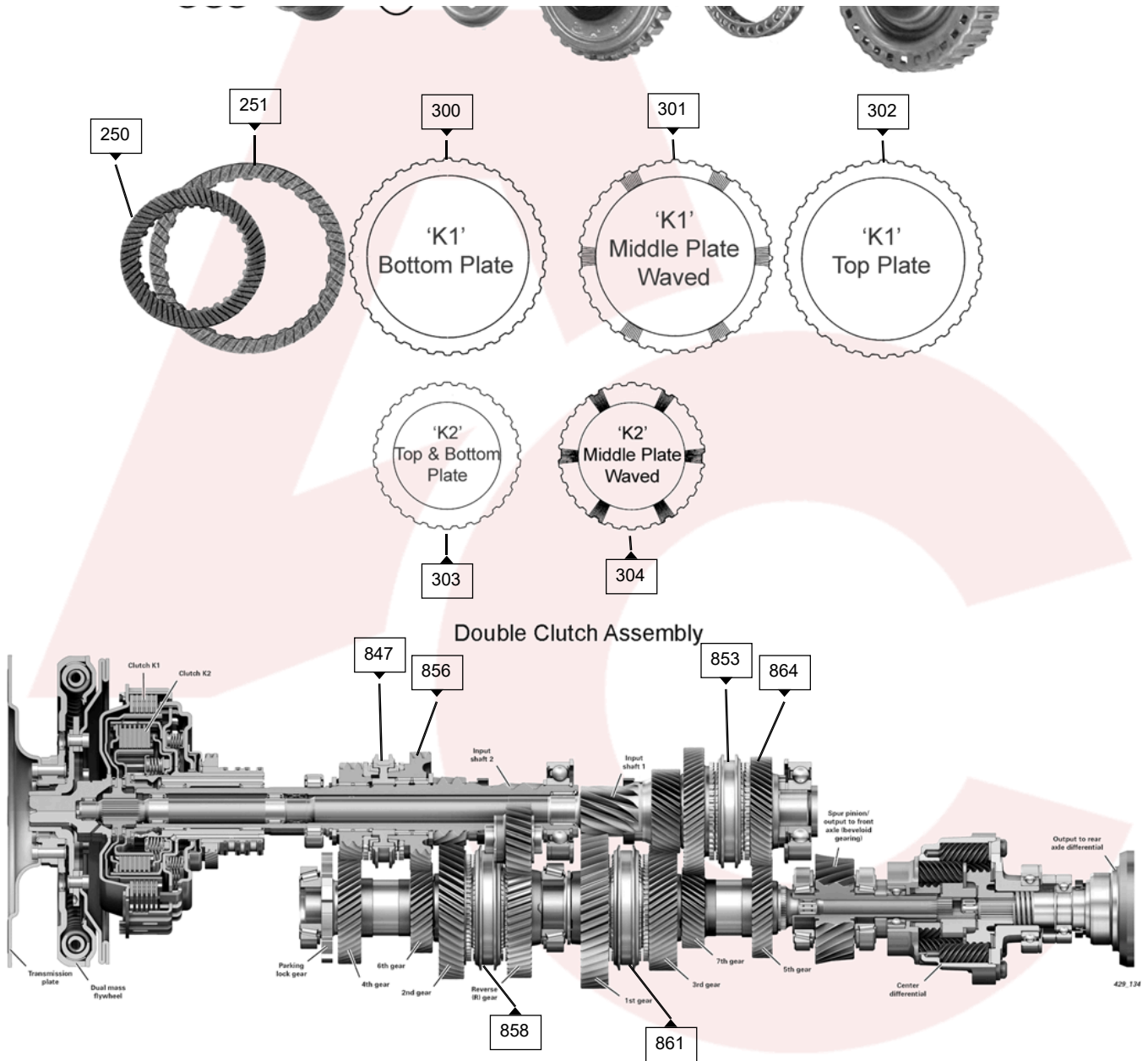


Front Differential

G

Piston Kits





Gearset Layout

ACE

Basic Overhaul Parts

REF	DESCRIPTION	QUANTITY	PART NO
	0B5/DL501 VALVEBODY FILTER SCREEN	2	0B5.FIL14
	0B5/DL501 CLUTCH FRICTION KIT	1	0B5.FRK01
	0B5/DL501 CLUTCH FRICTION KIT	1	0B5.FRK02
	0B5/DL501 CLUTCH FRICTION KIT	1	0B5.FRK11
	0B5/DL501 CLUTCH FRICTION KIT	1	0B5.FRK53
	0B5/DL501 CLUTCH FRICTION KIT	1	0B5.FRK61
	0B5/DL501 CLUTCH FRICTION KIT	1	0B5.FRK62
	0B5/DL501 OVERHAUL KIT	1	0B5.OHK01
	0B5/DL501 OVERHAUL KIT	1	0B5.OHK11
	0B5/DL501 OVERHAUL KIT	1	0B5.OHK51
	0B5/DL501 OVERHAUL KIT	1	0B5.OHK52
	0B5/DL501 VALVEBODY OVERHAUL KIT - AM	1	0B5.OHK53
	M 0B5/DL501 CLUTCH STEEL PLATE KIT	1	0B5.STK01
	0B5/DL501 CLUTCH STEEL PLATE KIT	1	0B5.STK11
	0B5/DL501 CLUTCH STEEL PLATE KIT - AM	1	0B5.STK51
	0B5/DL501 CLUTCH STEEL PLATE KIT	1	0B5.STK52
	0B5/DL501 MECHATRONIC OVERHAUL KIT	1	0B5.SUBKIT01

Bearings, Bushings & Washers

REF	DESCRIPTION	QUANTITY	PART NO
600	0B5/DL501 FRONT COVER WASHER	1	0B5.THW01
602	0B5/DL501 SHIM KIT	1	0B5.SHI10
650	0B5/DL501 FRONT CLUTCH SUPPORT BALL BEARING	1	0B5.BE01
651	0B5/DL501 NEEDLE ROLLER BEARING	1	0B5.BE02
652	0B5/DL501 BALL BEARING	1	0B5.BE04
653	0B5/DL501 BALL BEARING	1	0B5.BE03
654	RS413/0B5 BALL BEARING	1	X-RS413.BE05
658	0B4/0B5 DRIVESHAFT FANGE SUPPORT BALL BEARING	1	X-0B4.BE08
695	0B4/0B5 DRIVESHAFT TAPERED ROLLER BEARING	1	X-0B4.BE06
696	0B4/0B5 DRIVESHAFT TAPERED ROLLER BEARING	1	X-0B4.BE07
845	0B5/DL501 SUPPORT BRACKET	1	0B5.SUP01

Bolts, Nuts & Mounting Parts

	0B5/DL501 SOLENOID GASKET & SEAL KIT	1	0B5.SUBKIT02
	0B5/DL501 MECHATRONIC (WITH TCM)	1	0B5.VB01
	0B5/DL501 MECHATRONIC REBUILD - R&R ONLY	1	0B5.VB31
450	0B5/DL501 EXTERNAL CARTRIDGE FILTER	1	0B5.FIL02
450	0B5/DL501 EXTERNAL CARTRIDGE FILTER	1	0B5.FIL12
451	0B5/DL501 INTERNAL FILTER	1	0B5.FIL01
451	0B5/DL501 TRANSMISSION OIL FILTER	1	0B5.FIL11
451	0B5/DL501 TRANSMISSION OIL FILTER	1	0B5.FIL41
715	0B5/DL501 SOLENOID FILTER SCREEN	2	0B5.GAS06
715	0B5/DL501 SOLENOID FILTER SCREEN	2	0B5.GAS08
715	0B5/DL501 SOLENOID FILTER SCREEN	2	0B5.GAS16
717	0B5/DL501 SOLENOID FILTER SCREEN	4	0B5.GAS07
750	0B5/DL501 VALVE BODY (WITHOUT TCM)	1	0B5.VB02
802	0B5/DL501 DUAL CLUTCH MODULE	1	0B5.DRU01
802	0B5/DL501 DUAL CLUTCH MODULE	1	0B5.DRU03
802	0B5/DL501 DUAL CLUTCH MODULE	1	0B5.DRU04
802	0B5/DL501 DUAL CLUTCH MODULE	1	0B5.DRU11
802	0B5/DL501 DUAL CLUTCH MODULE	1	0B5.DRU13
802	0B5/DL501 DUAL CLUTCH MODULE	1	0B5.DRU14
950	0B5/DL501 TRANSMISSION OIL	AR	0B5.OIL01
950	**M** 0B5/DL501 SERVICE KIT	1	0B5.SERKIT01
950	**M** 0B5/DL501 SERVICE KIT	1	0B5.SERKIT02
950	VW/AUDI 0B5 & 0CK (DSG TRANS OIL)	AR	FEBI.OIL04
950	CHOICEMATIC SF-2 OIL 20L DSG 02E, 0B5, 0CK (CHECK CODES)	AR	SF2.20
951	0B5/DL501 DIFF/TRANSFER OIL	AR	0B5.OIL02
951	CHOICEMATIC SF-4 OIL 20L VAG 0AM, HYUNDAI/KIA D7UF1 75W	AR	SF4.20
Piston Kits	0B5/DL501 PISTON KIT	1	0B5.PISKIT11
Piston Kits	0B5/DL501 PISTON KIT	1	0B5.PISKIT12
Piston Kits	0B5/DL501 PISTON KIT	1	0B5.PISKIT51

REF	DESCRIPTION	QUANTITY	PART NO
701	0B5/DL501 WIRE LOOM MOUNTING KIT - OE/VAG	1	0B5.MK01
701	0B5/DL501 WIRE LOOM MOUNTING KIT - AM	1	0B5.MK11
702	0B5/DL501 MECHATRONIC CASE CONNECTOR	1	0B5.ELE02
702	0B5/DL501 MECHATRONIC CASE CONNECTOR	1	0B5.ELE12
719	0B5 WIRING HARNESS REPAIR PLUG WITH TAILS	1	0B5.ELE14
812	0B5/DL501 EXTERNAL FILTER HOUSING TO CASE TUBE	2	0B5.TU03
812	0B5/DL501 EXTERNAL FILTER HOUSING TO CASE TUBE	1	0B5.TU13
823	0B5/DL501 INPUT SHAFT RETAINING BOLT	1	0B5.NUT01
832	0B5/DL501 VALVE BODY TO CASE OIL FEED PIPE	1	0B5.TU01
832	0B5/DL501 VALVE BODY TO CASE OIL FEED PIPE	1	0B5.TU11
837	0B5/DL501 VALVE BODY TO PUMP OIL FEED PIPE	1	0B5.TU02
837	0B5/DL501 VALVE BODY TO PUMP OIL FEED PIPE	1	0B5.TU12
900	0B5/DL501 OIL COOLER FILTER HOUSING CAP	1	0B5.CAP01
900	0B5/DL501 OIL COOLER FILTER HOUSING CAP	1	0B5.CAP11
903	0B5/DL501 FLYWHEEL BOLT	6	0B5.NUT02

Clutches, Flywheels & Parts

REF	DESCRIPTION	QUANTITY	PART NO
	0B5/DL501 7-SPEED AUDI RS4 DUAL MASS FLYWHEEL	1	0B5.FLY08
	0B5/DL501 OVERHAUL KIT	1	0B5.OHK51
	0B5/DL501 K2-CLUTCH PISTON	1	0B5.PIS01
800	0B5/DL501 DUAL MASS FLYWHEEL	1	0B5.FLY01
800	0B5/DL501 DUAL MASS FLYWHEEL	1	0B5.FLY02
800	0B5/DL501 DUAL MASS FLYWHEEL	1	0B5.FLY03
800	0B5/DL501 DUAL MASS FLYWHEEL	1	0B5.FLY04
800	0B5/DL501 DUAL MASS FLYWHEEL	1	0B5.FLY05
800	0B5/DL501 DUAL MASS FLYWHEEL	1	0B5.FLY06
800	0B5/DL501 DUAL MASS FLYWHEEL	1	0B5.FLY07
802	0B5/DL501 DUAL CLUTCH MODULE	1	0B5.DRU01
802	0B5/DL501 DUAL CLUTCH MODULE	1	0B5.DRU03
802	0B5/DL501 DUAL CLUTCH MODULE	1	0B5.DRU04
802	0B5/DL501 DUAL CLUTCH MODULE	1	0B5.DRU11
802	0B5/DL501 DUAL CLUTCH MODULE	1	0B5.DRU13
802	0B5/DL501 DUAL CLUTCH MODULE	1	0B5.DRU14
903	0B5/DL501 FLYWHEEL BOLT	6	0B5.NUT02
Piston Kits	0B5/DL501 PISTON KIT	1	0B5.PISKIT11
Piston Kits	0B5/DL501 PISTON KIT	1	0B5.PISKIT12
Piston Kits	0B5/DL501 PISTON KIT	1	0B5.PISKIT51

Coolers & Parts

REF	DESCRIPTION	QUANTITY	PART NO
901	0B5/DL501 OIL COOLER ADAPTOR HOUSING	1	0B5.COO01
902	0B5/DL501 OIL COOLER ADAPTOR HOUSING	1	0B5.COO02
902	0B5/DL501 OIL COOLER ADAPTOR HOUSING	1	0B5.COO12
904	0B5/DL-501 OIL COOLER (CHECK VIN)	1	0B5.COO03

Dipsticks, Oil & Related Parts

REF	DESCRIPTION	QUANTITY	PART NO
812	0B5/DL501 EXTERNAL FILTER HOUSING TO CASE TUBE	2	0B5.TU03
812	0B5/DL501 EXTERNAL FILTER HOUSING TO CASE TUBE	1	0B5.TU13
950	0B5/DL501 TRANSMISSION OIL	AR	0B5.OIL01
950	**M** 0B5/DL501 SERVICE KIT	1	0B5.SERKIT01
950	**M** 0B5/DL501 SERVICE KIT	1	0B5.SERKIT02
950	VW/AUDI 0B5 & 0CK (DSG TRANS OIL)	AR	FEBI.OIL04
950	CHOICEMATIC SF-2 OIL 20L DSG 02E, 0B5, 0CK (CHECK CODES)	AR	SF2.20
951	0B5/DL501 DIFF/TRANSFER OIL	AR	0B5.OIL02
951	CHOICEMATIC SF-4 OIL 20L VAG 0AM, HYUNDAI/KIA D7UF1 75W	AR	SF4.20

Electrical Parts

REF	DESCRIPTION	QUANTITY	PART NO
	0B5/02E/0AW/MPS6/724.0 TCM PRESSURE SENSOR	2	0B5.ELE08
	0B5/DL501/DQ500 MECHATRONIC PRESSURE CONTROL REPAIR KIT	1	0B5.SOL20
	0B5/DL501/DQ500 MECHATRONIC PRESSURE CONTROL REPAIR KIT	1	0B5.SOL21
	0B5/DL501/DQ500 MECHATRONIC PRESSURE CONTROL REPAIR KIT	1	0B5.SOL30

Filters & Screens

REF	DESCRIPTION	QUANTITY	PART NO
	0B5/DL501 VALVEBODY FILTER SCREEN	2	0B5.FIL14
	0B5/DL501 MECHATRONIC OVERHAUL KIT	1	0B5.SUBKIT01
	0B5/DL501 SOLENOID GASKET & SEAL KIT	1	0B5.SUBKIT02
450	0B5/DL501 EXTERNAL CARTRIDGE FILTER	1	0B5.FIL02
450	0B5/DL501 EXTERNAL CARTRIDGE FILTER	1	0B5.FIL12
451	0B5/DL501 INTERNAL FILTER	1	0B5.FIL01

701	0B5/DL501 MECHATRONIC ELECTROPLATE REPAIR KIT	1	0B5.ELE03
701	0B5/DL501 MECHATRONIC ELECTROPLATE REPAIR KIT	1	0B5.ELE13
701	0B5/DL501 WIRE LOOM MOUNTING KIT - OE/VAG	1	0B5.MK01
701	0B5/DL501 WIRE LOOM MOUNTING KIT - AM	1	0B5.MK11
702	0B5/DL501 MECHATRONIC CASE CONNECTOR	1	0B5.ELE02
702	0B5/DL501 MECHATRONIC CASE CONNECTOR	1	0B5.ELE12
707	0B5/DL501 PRESSURE & COOLER-FLOW SOLENOID	1	0B5.SOL02
707	0B5/DL501 PRESSURE & COOLER-FLOW SOLENOID	1	0B5.SOL12
707	0BH/0B5 SHIFT/ACTUATION/COOLER-FLOW SOLENOID	1	0BH.SOL01
708	0B5/02E/0D9 MULTIPLEXER SOLENOID	1 - 2	0B5.SOL04
708	0B5/02E/0D9 MULTIPLEXER SOLENOID	1	0B5.SOL14
710	0B5/DL501/DQ500 CLUTCH SOLENOID	1	0B5.SOL01
710	0B5/DL501/DQ500 CLUTCH SOLENOID	1	0B5.SOL11
713	0B5/DL501 HARNESS BETWEEN SENSOR MODULE AND TCM	1	0B5.ELE05
714	0B5/DL501 SENSOR MODULE	1	0B5.ELE04
716	0B5/DL501 GEAR SHAFTS SENSOR WHEELS	1	0B5.ELE06
718	0B5/DL501 TRANSMISSION CONTROL MODULE	1	0B5.ELE09
718	0B5 TCM GEN2 156K - GEN-2 - USED	1	0B5.ELE10
719	0B5 WIRING HARNESS REPAIR PLUG WITH TAILS	1	0B5.ELE14

451	0B5/DL501 TRANSMISSION OIL FILTER	1	0B5.FIL11
451	0B5/DL501 TRANSMISSION OIL FILTER	1	0B5.FIL41
715	0B5/DL501 SOLENOID FILTER SCREEN	2	0B5.GAS06
715	0B5/DL501 SOLENOID FILTER SCREEN	2	0B5.GAS08
715	0B5/DL501 SOLENOID FILTER SCREEN	2	0B5.GAS16
717	0B5/DL501 SOLENOID FILTER SCREEN	4	0B5.GAS07
950	**M** 0B5/DL501 SERVICE KIT	1	0B5.SERKIT01
950	**M** 0B5/DL501 SERVICE KIT	1	0B5.SERKIT02

Friction & Steel Plates

REF	DESCRIPTION	QUANTITY	PART NO
	0B5/DL501 CLUTCH FRICTION KIT	1	0B5.FRK01
	0B5/DL501 CLUTCH FRICTION KIT	1	0B5.FRK02
	0B5/DL501 CLUTCH FRICTION KIT	1	0B5.FRK11
	0B5/DL501 CLUTCH FRICTION KIT	1	0B5.FRK53
	0B5/DL501 CLUTCH FRICTION KIT	1	0B5.FRK61
	0B5/DL501 CLUTCH FRICTION KIT	1	0B5.FRK62
	M 0B5/DL501 CLUTCH STEEL PLATE KIT	1	0B5.STK01
	0B5/DL501 CLUTCH STEEL PLATE KIT	1	0B5.STK11
	0B5/DL501 CLUTCH STEEL PLATE KIT - AM	1	0B5.STK51
	0B5/DL501 CLUTCH STEEL PLATE KIT	1	0B5.STK52
250	0B5/DL501 K2 CLUTCH FRICTION PLATE	6 - 7	0B5.FRP01
250	0B5/DL501 K2 CLUTCH FRICTION PLATE	6 - 7	0B5.FRP21
251	0B5/DL501 K1 CLUTCH FRICTION PLATE	5 - 6	0B5.FRP02
251	0B5/DL501 K1 CLUTCH FRICTION PLATE	5 - 6	0B5.FRP22
300	0B5/DL501 K1 (FLAT) CLUTCH STEEL SEPARATOR PLATE	1 - 3	0B5.STP05
300	0B5/DL501 K1 CLUTCH STEEL BOTTOM PLATE	1	0B5.STP15
301	0B5/DL501 K1 (WAVED) CLUTCH STEEL SEPARATOR PLATE	4	0B5.STP04
301	0B5/DL501 K1 CLUTCH STEEL MIDDLE PLATE	5	0B5.STP14
301	0B5/DL501 K1 CLUTCH STEEL PLATE	6	0B5.STP52
301	0B5/DL501 K1 CLUTCH STEEL PLATE	1	0B5.STP62
302	0B5/DL501 K1 CLUTCH STEEL TOP PLATE	1	0B5.STP13
302	0B5/DL501 K1 CLUTCH STEEL PLATE	1	0B5.STP53
303	0B5/DL501 K2 (FLAT) CLUTCH STEEL SEPARATOR PLATE	2	0B5.STP01
303	0B5/DL501 K2 CLUTCH STEEL TOP & BOTTOM PLATE	2	0B5.STP11
304	0B5/DL501 K2 (WAVED) CLUTCH STEEL SEPARATOR PLATE	5	0B5.STP02
304	0B5/DL501 K2 CLUTCH STEEL MIDDLE PLATE	5	0B5.STP12
304	0B5/DL501 K2 CLUTCH STEEL PLATE	7	0B5.STP51
304	0B5/DL501 K2 CLUTCH STEEL PLATE	1	0B5.STP61

Gaskets, Seals & Closing Parts

REF	DESCRIPTION	QUANTITY	PART NO
	0B5/DL501 GEAR SELECTOR MODULE PLATE TO COVER GASKET	1	0B5.GAS02
	0B5/DL501 GEAR SELECTOR MODULE PLATE TO HOUSING GASKET	1	0B5.GAS03
	0B5/DL501 VALVE-BODY SEPERATOR PLATE UPPER GASKET	1	0B5.GAS04
	0B5/DL501 VALVE-BODY SEPERATOR PLATE LOWER GASKET	1	0B5.GAS05
	0B5/DL501 VALVE BODY GASKET KIT	1	0B5.GK01
	0B5/DL501 VALVE BODY GASKET KIT - AM	1	0B5.GK11
	0B5/DL501 MECHATRONIC OVERHAUL KIT	1	0B5.SUBKIT01
	0B5/DL501 SOLENOID GASKET & SEAL KIT	1	0B5.SUBKIT02
103	0B5/DL501 PAN GASKET	1	0B5.GAS01
103	0B5/DL501 PAN GASKET	1	0B5.GAS51
900	0B5/DL501 OIL COOLER FILTER HOUSING CAP	1	0B5.CAP01
900	0B5/DL501 OIL COOLER FILTER HOUSING CAP	1	0B5.CAP11
950	**M** 0B5/DL501 SERVICE KIT	1	0B5.SERKIT01
950	**M** 0B5/DL501 SERVICE KIT	1	0B5.SERKIT02

Gears & Shafts

REF	DESCRIPTION	QUANTITY	PART NO
823	0B5/DL501 INPUT SHAFT RETAINING BOLT	1	0B5.NUT01
856	0B5/DL501 6TH GEAR	1	0B5.GE02
856	0B5/DL501 6TH GEAR	1	0B5.GE04
856	0B5/DL501 6TH GEAR	1	0B5.GE06
864	0B5/DL501 5TH GEAR	1	0B5.GE01
864	0B5/DL501 5TH GEAR	1	0B5.GE03
864	0B5/DL501 5TH GEAR	1	0B5.GE05

Housings, Cases & Parts

REF	DESCRIPTION	QUANTITY	PART NO
801	0B5/DL501 TRANSMISSION HOUSING FRONT COVER	1	0B5.COV02
840	0B5/DL501 TRANSMISSION OIL PAN	1	0B5.PAN01
840	0B5/DL501 TRANSMISSION OIL PAN	1	0B5.PAN11

Manuals, Tools & Consumables

REF	DESCRIPTION	QUANTITY	PART NO
	0B5/DL501 TOOL FOR (DIS)MOUNTING SIDE SHAFT	1	0B5.TOOL01
	0B5/DL501 SWITCH CONNECTOR REMOVAL TOOL	1	0B5.TOOL02
	0B5/DL501 TOOLKIT FOR DIS/RE-ASSEMBLY	1	0B5.TOOL04

	0B5/DL501 TOOLKIT FOR DIS/RE-ASSEMBLY	1	0B5.TOOL05
	0B5/DL501 CLUTCH HOUSING SEAL INSTALLER	1	0B5.TOOL06
	0B5/DL501 TOOLKIT FOR 0B5.VA01	1	0B5.VA02
	0B5/DL501 TOOLKIT FOR 0B5.VA03	1	0B5.VA04
550	0AW/0B2/0B4/0B5/0CS/0DJ DRIVESHAFT BEARING CASE REAMER	1	TOOL.AUDI01
550	0AW/0B2/0B4/0B5/0CS/0DJ REPLACEMENT CASE BUSHINGS	1	TOOL.AUDI02
550	0AW/0B2/0B4/0B5/0CS/0DJ TOOL REPLACEMENT CUTTING BLADES	1	TOOL.AUDI03
550	0AW/0B2/0B4/0B5/0CS/0DJ TOOL REPLACEMENT CUTTING BLADES	1	TOOL.AUDI04

Metal Clad Seals & Seal Rings

REF	DESCRIPTION	QUANTITY	PART NO
	0B5/DL501 SEALING RING KIT	1	0B5.SRK11
	0B5/DL501 SEALING RING KIT - PEEK MATERIAL	1	0B5.SRK51
	0B5/DL501 MECHATRONIC OVERHAUL KIT	1	0B5.SUBKIT01
	0B5/DL501 SOLENOID GASKET & SEAL KIT	1	0B5.SUBKIT02
	0B5/DL501 GEAR SELECTOR O-RINGS SUB KIT	1	0B5.SUBKIT03
120	0B5/DL501 FRONT COVER O-RING	1	0B5.OR01
120	0B5/DL501 FRONT COVER O-RING	1	0B5.OR11
121	0B5/DL501 EXTERNAL OIL FILTER HOUSING O-RING	1	0B5.OR02
122	0B5/DL501 SHIFT FORK O-RING	4	0B5.OR04
123	0AW OIL COOLER PIPE TO FILTER HOUSING O-RING - OEM	1	0AW.OR03
123	0AW OIL COOLER PIPE TO FILTER HOUSING O-RING - ELRING	1	0AW.OR13
135	0AW/0B5 DIFFERENTIAL SIDE COVER O-RING	1	0AW.OR02
140	0B5/DL501 HUB O-RING	1	0B5.OR03
150	0B5/DL501 FRONT COVER SEAL	1	0B5.MCS01
150	0B5/DL501 FRONT COVER SEAL	1	0B5.MCS11
150	0B5/DL501 FRONT COVER SEAL	1	0B5.MCS51
151	0B5/DL501 SELECTOR SHAFT SEAL	1	0B5.MCS56
152	0B5/DL501 SUCTION JET TUBE METAL CLAD SEAL - KACO	1	0B5.MCS08
152	0B5/DL501 SUCTION JET TUBE METAL CLAD SEAL	1	0B5.MCS58
153	0B5/DL501 INPUT SHAFT METAL CLAD DOUBLE LIP SEAL	1	0B5.MCS05
153	0B5/DL501 INPUT SHAFT METAL CLAD DOUBLE LIP SEAL	1	0B5.MCS55
154	5HP19FLA/5HP24A/0B5 OUTPUT SHAFT SEAL	1	5HP19.MCS14
155	0AW/0B5 RH DRIVE SHAFT METAL CLAD SEAL	1	0AW.MCS02
155	0AW/0B5 RH DRIVE SHAFT METAL CLAD SEAL - ELRING	1	0AW.MCS12
155	0B5/DL501 DIFFERENTIAL COVER METAL CLAD SEAL	1	0B5.MCS57
156	0AW/0B5 LH DRIVE SHAFT METAL CLAD SEAL	1	0AW.MCS03

Overhaul, Repair & Gasket Kits

REF	DESCRIPTION	QUANTITY	PART NO
	0B5/DL501 VALVE BODY GASKET KIT	1	0B5.GK01
	0B5/DL501 VALVE BODY GASKET KIT - AM	1	0B5.GK11
	0B5/DL501 OVERHAUL KIT	1	0B5.OHK01
	0B5/DL501 OVERHAUL KIT	1	0B5.OHK11
	0B5/DL501 OVERHAUL KIT	1	0B5.OHK51
	0B5/DL501 OVERHAUL KIT	1	0B5.OHK52
	0B5/DL501 VALVEBODY OVERHAUL KIT - AM	1	0B5.OHK53
	0B5/DL501 SOLENOID GASKET & SEAL KIT	1	0B5.SUBKIT02

Pistons, Retainers & Springs

REF	DESCRIPTION	QUANTITY	PART NO
	0B5/DL501 OVERHAUL KIT	1	0B5.OHK51
	0B5/DL501 K2-CLUTCH PISTON	1	0B5.PIS01
Piston Kits	0B5/DL501 PISTON KIT	1	0B5.PISKIT11
Piston Kits	0B5/DL501 PISTON KIT	1	0B5.PISKIT12
Piston Kits	0B5/DL501 PISTON KIT	1	0B5.PISKIT51

Pump & Hydraulic Parts

REF	DESCRIPTION	QUANTITY	PART NO
803	0B5/DL501 OIL PUMP	1	0B5.PUM02
832	0B5/DL501 VALVE BODY TO CASE OIL FEED PIPE	1	0B5.TU01
832	0B5/DL501 VALVE BODY TO CASE OIL FEED PIPE	1	0B5.TU11
837	0B5/DL501 VALVE BODY TO PUMP OIL FEED PIPE	1	0B5.TU02
837	0B5/DL501 VALVE BODY TO PUMP OIL FEED PIPE	1	0B5.TU12

Snap & Retaining Rings

REF	DESCRIPTION	QUANTITY	PART NO
430	0B5/DL501 FRONT BEARING/FRONT COVER CIRCLIP	1	0B5.CIR02
431	0B5/DL501 INPUT DRUM/FRONT BEARING CIRCLIP	1	0B5.CIR01

Synchronizer & Selector Parts

REF	DESCRIPTION	QUANTITY	PART NO
847	0B5/DL501 DSG - SYNCHRO ASSY 4-6 & 5-7	1	0B5.SYNC02
858	0B5/DL501 SYNCHRO ASSEMBLY	1	0B5.SYNC01

Valve Bodies & Accumulators

REF	DESCRIPTION	QUANTITY	PART NO
	0B5/DL501 MECHATRONIC OVERHAUL KIT	1	0B5.SUBKIT01
	0B5/DL501 SOLENOID GASKET & SEAL KIT	1	0B5.SUBKIT02

- [Home](#)
- [0B5 Transmission Catalogue](#)

Print this catalogue

	0B5/DL501 OVERSIZED CLUTCH COOLING CONTROL VALVE KIT	1	0B5.VA01
	0B5/DL501 TOOLKIT FOR 0B5.VA01	1	0B5.VA02
	0B5/DL501 OVERSIZED PRESSURE REGULATOR VALVE KIT	1	0B5.VA03
	0B5/DL501 TOOLKIT FOR 0B5.VA03	1	0B5.VA04
	0B5/DL501 MECHATRONIC (WITH TCM)	1	0B5.VB01
	0B5/DL501 MECHATRONIC REBUILD - R&R ONLY	1	0B5.VB31
750	0B5/DL501 VALVE BODY (WITHOUT TCM)	1	0B5.VB02
831	0B5/DL501 GEAR SELECTOR MODULE HOUSING	1	0B5.VA05

0B5 Transmission Catalogue

Welcome to our VAG 0B5 Catalogue!

[Read more](#)

Also named 0B5 [DL501, S-Tronic]

If you are not sure which part you need, please click on the tab Products to browse per product groups

[Show less](#)

[Close](#)

For transmissions:

0B5 A5B.xx DL501 S-Tronic [Show more](#)

- 7-speed
- Dual Clutch Transmission
- Volkswagen AG

- [Product map](#)
- [Products](#)
- [Specifications](#)

Map is interactive

[Click to Explore Map](#)

[Close Map View](#)

Are you searching for parts? Please let us know

Currently we do not have a drawing and/or parts available (yet) for this transmission.
Are you looking for a specific part, please let us know. It will be our pleasure to help you find it.

Please fill in the form and we'll start the search for you!

Account Code *

Your Company Name *

Your Name

Your Email address *

Your Country *

Which part(s) are you looking for? *

Do you have an (OE) Number?

Make car

Model/ Type

Year

Engine

VIN

Upload File

[Choose file](#)

add jpg, png, pdf

Would you please fill in all the fields?

[Send](#)

VAG 0B5 Dual Clutch

DL501, S-Tronic

Torque specification:

Valve body bolts 12Nm
Oil Pan 10Nm

Clutch Clearance:

K1 Clutch (1 / 3 / 5 / 7) 1.5-2.0mm (.059"-.079")

K2 Clutch (2 / 4 / 6 / R) 1.5-2.0mm (.059"-.079")
 Correct direction of both plates:



Software:

Before even start the repair always see if there is a software update available, this prevents problems afterwards when repairs are already done.

Attention! Due to the apparent difficulties with programming of certain mechatronic units, Automatic Choice cannot accept any responsibility for programming of this mechatronic unit.

Oil specifications:

Dry fill 7.5 Ltr

Solenoids:

1-3 Shift Fork Solenoid	N433	5 Ohms
7-5 Shift Fork Solenoid	N434	5 Ohms
K1 Clutch Control Solenoid	N435	15 Ohms
Odd Gear Pressure Regulator	N436	5 Ohms *
2-R Shift Fork Solenoid	N437	5 Ohms
4-6 Shift Fork Solenoid	N438	5 Ohms
K2 Clutch Control Solenoid	N439	15 Ohms
Even Gear Pressure Regulator	N440	5 Ohms *
Clutch Cooling Oil Solenoid	N471	4.5 Ohms *
Main Pressure Control Solenoid	N472	4.5 Ohms

(* = part of 0B5.SOL20)

Gear Actuator Adjustment:

Mechatronic up to L31B1137	28mm
Mechatronic from L31B1138 on	32mm

Common failures:

1. Because the PWM solenoids work very hard in these units they are prone to premature wear, this in turn causes a number of issues with engagement and shift quality, it is also highly recommended that the valve body loom is replaced with the modified version.
 We stock a repair kit for this **0B5.SOL20**.
2. Due to a coolant leakage at the *Coolant control valve* there can go coolant thru the wiring harness into the mechatronic connector ([see AC News January 2018](#))
3. P17E1 can be set if Synchronizer ring from 2nd gear is damaged due to bad alignment while shifting, fork will not engage properly and get stuck. This recognised by the travel sensor, as the second gear isn't fully set.

Quick order

Enter the AC part number to order. If you're not sure, you can [use our vehicle finder...](#)

[Proceed to checkout](#)

Recent searches:

AF40.SOL01	8HP45.SP03	JF015E.MCS52	4HP20.MCS55	AWF8G45.STP01
------------	------------	--------------	-------------	---------------