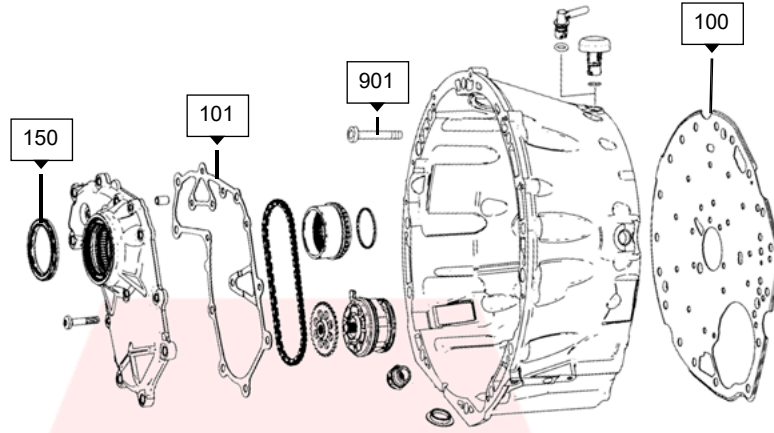


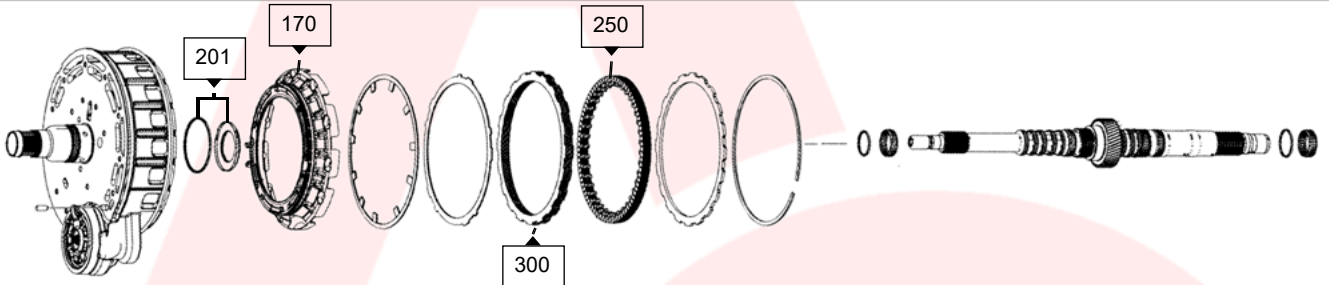
A



Overhaul
Kits

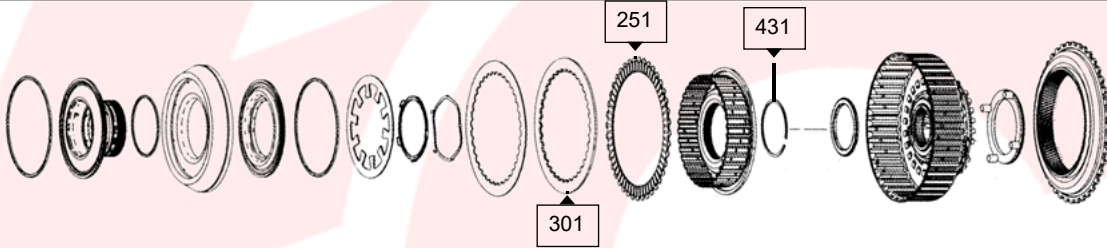
Converter Housing and Oil Pump

B



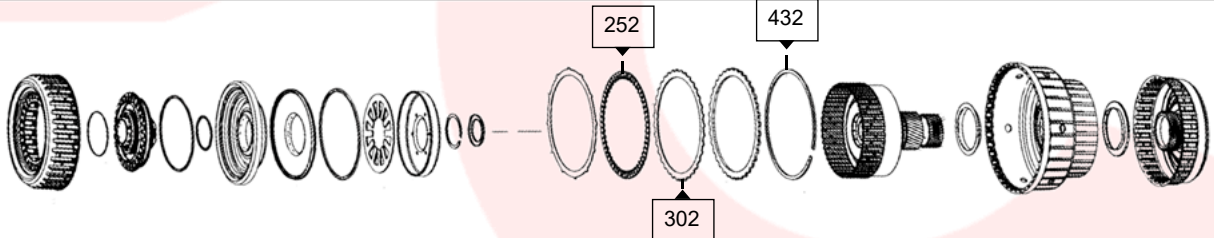
'B08' Brake and Drive Shaft

C



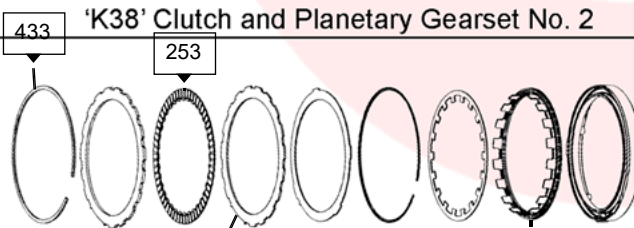
'K81' Clutch and Planetary Gearset No. 1

D



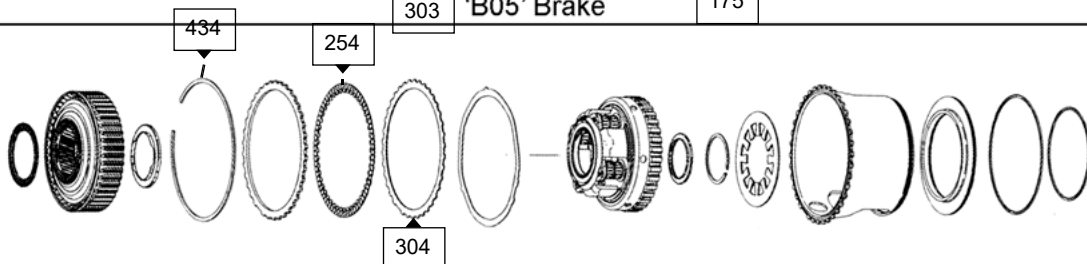
'K38' Clutch and Planetary Gearset No. 2

E



'B05' Brake

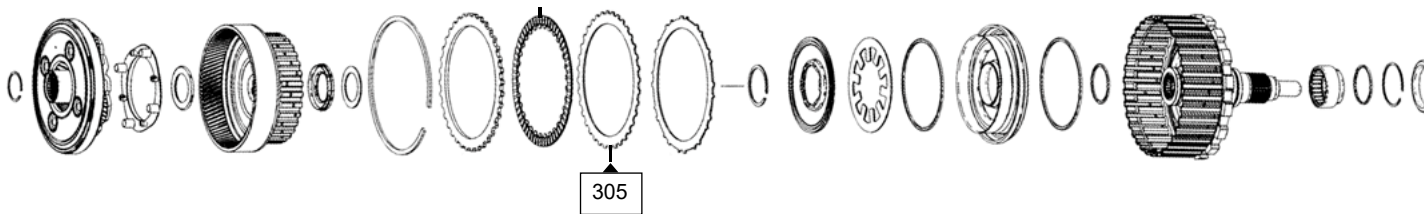
F



'B06' Brake and Planetary Gearset No. 3

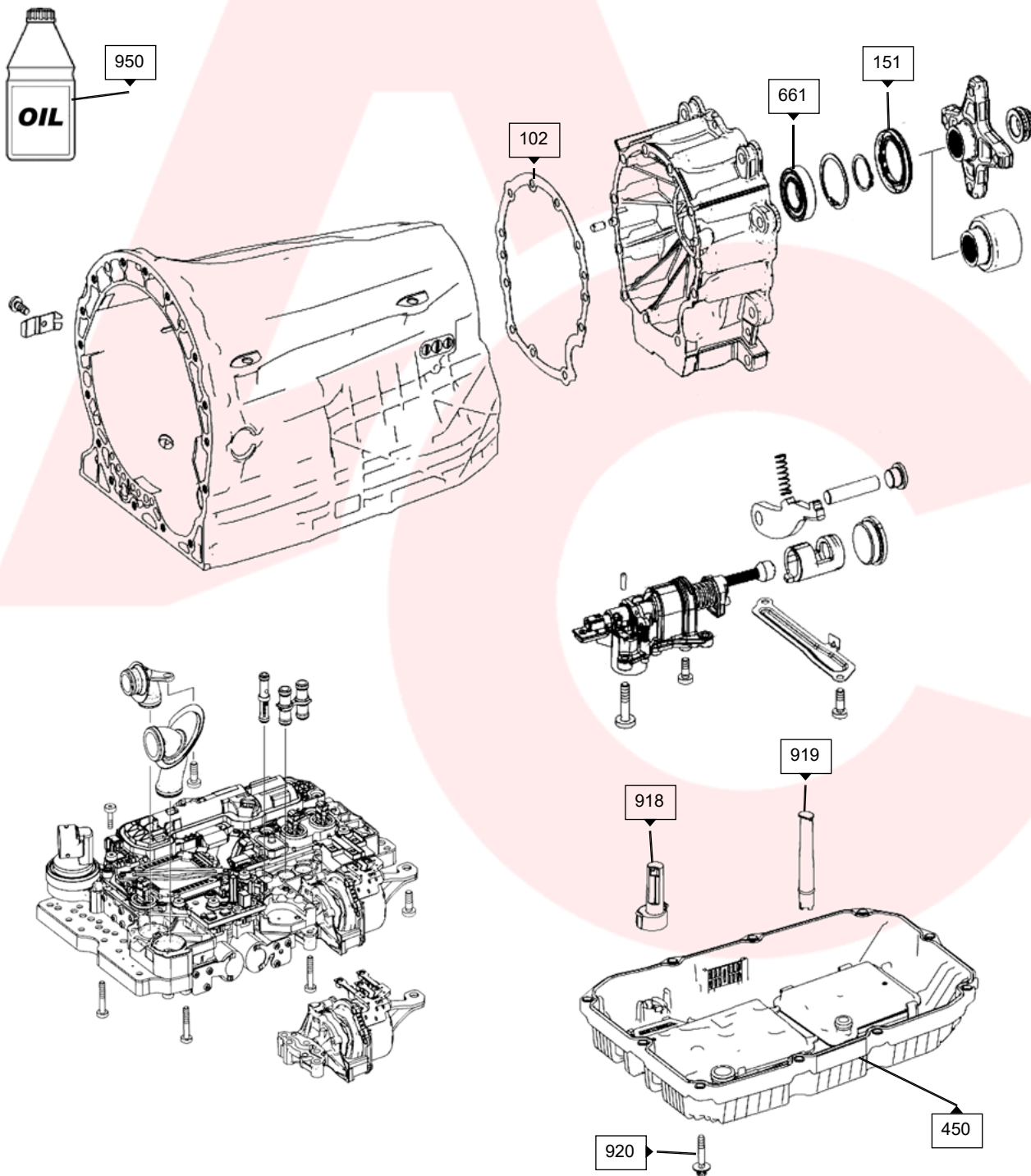
G





'K27' Clutch and Planetary Gearset No. 4

H



Casing, Output, Mechatronic, External Components, Internal Components, Oil Pan and Filters

ACE

Basic Overhaul Parts

Bearings, Bushings & Washers

REF	DESCRIPTION	QUANTITY	PART NO
	722/725 LOCKUP HUB REPAIR 222.xx	1	M215.TC222
	M M725.0 9G TRONIC FRICTION KIT OEM	1	M725.FRK01
	725.0 / 9G-TRONIC PISTONKIT 2PCS/KIT - NAK - (2013-Up)	1	M725.PISKIT11
	725.0/9G-TRONIC SOLENOID SET	1	M725.SOL11
	725.0 9G TRONIC SOLENOID SET USED	1	M725.SOL51
	M725 CLUTCH STEEL KIT	1	M725.STK01
	725.0 TORQUE CONVERTER 205.05 - REBUILD	1	M725.TC01
	725.0 TORQUE CONVERTER 213.02 - REBUILD	1	M725.TC02
	725.0 TORQUE CONVERTER 205.06 - REBUILD	1	M725.TC03
	725.0 TORQUE CONVERTER 213.00 - REBUILD	1	M725.TC04
	725.0 TORQUE CONVERTER 213.01 - REBUILD	1	M725.TC05
	725.0 TORQUE CONVERTER 213.03 - REBUILD	1	M725.TC06
	725.0 TORQUE CONVERTER 207.02 - REBUILD	1	M725.TC07
	725.0 TORQUE CONVERTER 207.01 - OEM REBUILD	1	M725.TC08A
	725.0 TORQUE CONVERTER 205.04 - REBUILD	1	M725.TC09
450	725.0 / 9G-TRONIC MB OILPAN (FILTER / DRAIN SCREW / SEAL)	1	M725.PAN01
450	725.0 / 9G-TRONIC MERCEDES BENZ OILPAN 2016-UP - AM	1	M725.PAN11
450	725.0/9G-TRONIC OIL PAN WITH INTEGRATED FILTER (INCLUDING BOLTS & TUBES) - AM	1	M725.PAN12
950	MERCEDES-BENZ ATF 725.0/9G-TRONIC - OEM	AR	OIL.605
950	MERCEDES M725.0 9G TRONIC TRANSMISSION OIL 5L D97 100708	1	OIL.606
Overhaul Kits	M725.0 9G-TRONIC OVERHAULKIT (OEM)	1	M725.OHK01
Overhaul Kits	M725.0 9G-TRONIC OVERHAULKIT (AM)	1	M725.OHK11
Overhaul Kits	M725.0 9G-TRONIC OVERHAULKIT WITHOUT PISTONS - TRANSTEC	1	M725.OHK21

REF	DESCRIPTION	QUANTITY	PART NO
661	722.6 OUTPUT SHAFT BEARING	1	M140.BE04

Bolts, Nuts & Mounting Parts

REF	DESCRIPTION	QUANTITY	PART NO
901	725.0 9G TRONIC B /H TO CASE ALUM. BOLTS (18 PER TRANS)	18	M725.NUT01
918	725.0 / 9G-TRONIC MB OVERFLOW TUBE 2016-UP	1	M725.TU11
919	725.0 / 9G-TRONIC MB GUIDE TUBE 2016-UP	1	M725.TU12
920	725.0 / 9G-TRONIC MB OILPAN BOLTS 2016-UP	10	M725.NUT11

Dipsticks, Oil & Related Parts

REF	DESCRIPTION	QUANTITY	PART NO
918	725.0 / 9G-TRONIC MB OVERFLOW TUBE 2016-UP	1	M725.TU11
919	725.0 / 9G-TRONIC MB GUIDE TUBE 2016-UP	1	M725.TU12
950	MERCEDES-BENZ ATF 725.0/9G-TRONIC - OEM	AR	OIL.605
950	MERCEDES M725.0 9G TRONIC TRANSMISSION OIL 5L D97 100708	1	OIL.606

Electrical Parts

REF	DESCRIPTION	QUANTITY	PART NO
	0DD/0DE/0GC/0BH725.0 TCM PRESSURE SENSOR (BOSCH) - NO WARRANTY	2	0DD.ELE01
	725.0/9G-TRONIC SOLENOID SET	1	M725.SOL11
	725.0 9G TRONIC SOLENOID SET USED	1	M725.SOL51

Filters & Screens

REF	DESCRIPTION	QUANTITY	PART NO
450	725.0 / 9G-TRONIC MB OILPAN (FILTER / DRAIN SCREW / SEAL)	1	M725.PAN01
450	725.0 / 9G-TRONIC MERCEDES BENZ OILPAN 2016-UP - AM	1	M725.PAN11
450	725.0/9G-TRONIC OIL PAN WITH INTEGRATED FILTER (INCLUDING BOLTS & TUBES) - AM	1	M725.PAN12

Friction & Steel Plates

REF	DESCRIPTION	QUANTITY	PART NO
	M M725.0 9G TRONIC FRICTION KIT OEM	1	M725.FRK01
	M725 CLUTCH STEEL KIT	1	M725.STK01
250	725.0/9G-TRONIC FRICTION PLATE B08	3 - 4	M725.FRP01
251	725.0/9G-TRONIC FRICTION PLATE K81	3 - 5	M725.FRP02
252	725.0/9G-TRONIC FRICTION PLATE K38	5 - 6	M725.FRP03
253	725.0/9G-TRONIC FRICTION PLATE B05	3 - 4	M725.FRP04
254	725.0/9G-TRONIC FRICTION PLATE B06	4 - 5	M725.FRP05
255	725.0/9G-TRONIC FRICTION PLATE K27	3 - 6	M725.FRP06
300	725.0 / 9G-TRONIC STEEL PLATE B08	3 - 4	M725.STP01
301	725.0 / 9G-TRONIC STEEL PLATE K81	4 - 6	M725.STP02
302	725.0 / 9G-TRONIC STEEL PLATE K38	5 - 6	M725.STP03
303	725.0 / 9G-TRONIC STEEL PLATE B05	3 - 4	M725.STP04
304	725.0 / 9G-TRONIC STEEL PLATE B06	4 - 5	M725.STP05
305	725.0 / 9G-TRONIC STEEL PLATE K27	3 - 6	M725.STP06

Gaskets, Seals & Closing Parts

REF	DESCRIPTION	QUANTITY	PART NO
100	725.0 MERCEDES 9G-TRONIC PUMP RUBBER COATED INTERMEDIATE PLATE (CHECK VIN / CHECK MODEL)	1	M725.GAS02
101	725.0 MERCEDES 9G-TRONIC GASKET PUMP/CHAIN COVER	1	M725.GAS03
102	722.9/725.0 EXTENSION HOUSING GASKET	1	M215.GAS03

Housings, Cases & Parts

REF	DESCRIPTION	QUANTITY	PART NO
901	725.0 9G TRONIC B /H TO CASE ALUM. BOLTS (18 PER TRANS)	18	M725.NUT01
920	725.0 / 9G-TRONIC MB OILPAN BOLTS 2016-UP	10	M725.NUT11

1. [Home](#)

2. [725.0 Transmission Catalogue](#)

725.0 Transmission Catalogue

Manuals, Tools & Consumables

REF	DESCRIPTION	QUANTITY	PART NO
	725.0 / 9G-TRONIC MB OIL LEVEL CHECK TOOL	1	M725.TOOL01
	725.0 / 9G-TRONIC MB OIL EXCHANGE TOOL	1	M725.TOOL02

Metal Clad Seals & Seal Rings

REF	DESCRIPTION	QUANTITY	PART NO
	722.9 TORQUE CONVERTER SEAL	1	Z-MB-MCS215
150	725.0 / 9G-TRONIC MB PUMP SEAL (53x68x7)	1	M725.MCS01
151	722.6 EXTENSION HOUSING SEAL	1	M140.MCS02
151	725.0/JR19E EXTENSION HOUSING CLAD SEAL	1	M725.MCS02
201	722.9/724.2/725.0 722.9 STATOR SUPPORT SEALING RING	2	M215.SSR04

Overhaul, Repair & Gasket Kits

REF	DESCRIPTION	QUANTITY	PART NO
Overhaul Kits	M725.0 9G-TRONIC OVERHAULKIT (OEM)	1	M725.OHK01
Overhaul Kits	M725.0 9G-TRONIC OVERHAULKIT (AM)	1	M725.OHK11
Overhaul Kits	M725.0 9G-TRONIC OVERHAULKIT WITHOUT PISTONS - TRANSTEC	1	M725.OHK21

Pistons, Retainers & Springs

REF	DESCRIPTION	QUANTITY	PART NO
	725.0 / 9G-TRONIC PISTONKIT 2PCS/KIT - NAK - (2013-Up)	1	M725.PISKIT11
170	725.0 CLUTCH PISTON 'B08' OEM	1	M725.PIS03
175	725.0 CLUTCH PISTON 'B05' 18.5MM HIGH OEM	1	M725.PIS01
175	725.0 CLUTCH PISTON 'B05' 24MM HIGH OEM	1	M725.PIS02

Torque Converters & Parts

REF	DESCRIPTION	QUANTITY	PART NO
	722/725 LOCKUP HUB REPAIR 222.xx	1	M215.TC222
	725.0 TORQUE CONVERTER 205.05 - REBUILD	1	M725.TC01
	725.0 TORQUE CONVERTER 213.02 - REBUILD	1	M725.TC02
	725.0 TORQUE CONVERTER 205.06 - REBUILD	1	M725.TC03
	725.0 TORQUE CONVERTER 213.00 - REBUILD	1	M725.TC04
	725.0 TORQUE CONVERTER 213.01 - REBUILD	1	M725.TC05
	725.0 TORQUE CONVERTER 213.03 - REBUILD	1	M725.TC06
	725.0 TORQUE CONVERTER 207.02 - REBUILD	1	M725.TC07
	725.0 TORQUE CONVERTER 207.01 - OEM REBUILD	1	M725.TC08A
	725.0 TORQUE CONVERTER 205.04 - REBUILD	1	M725.TC09
	722.9 TORQUE CONVERTER SEAL	1	Z-MB-MCS215

725.000, 725-000, 725000, M725, 9G-Tronic, 9GTronic

For transmissions:

725 000 725-000 725.000 9G-Tronic 9G-Tronik 9GTronic 9GTronik HW9A400 HW9A500 HW9A700 HW9A900 HW9B400 HW9B500 HW9B700 HW9B900 HW9S400 HW9S500 HW9S700 HW9S900 HW9T400 HW9T500 HW9T700 HW9T900 HW9X400 HW9X500 HW9X700 HW9X900 HW9Y400 HW9Y500 HW9Y700 HW9Y900 K9A900 K9B900 K9S900 K9T900 K9X900 K9Y900 M725 [Show more](#)

- 9-speed
- Automatic Transmission
- Mercedes-Benz

- [Product map](#)
- [Products](#)

Are you searching for parts? Please let us know

Currently we do not have a drawing and/or parts available (yet) for this transmission.
Are you looking for a specific part, please let us know. It will be our pleasure to help you find it.

Please fill in the form and we'll start the search for you!

Account Code *

Your Company Name *

Your Name

Your Email address *

Your Country *

Which part(s) are you looking for? *

Do you have an (OE) Number?

Make car

Model/ Type

Year

Engine

VIN

Upload File

[Choose file](#)

add jpg, png, pdf

Would you please fill in all the fields?

Quick order

Enter the AC part number to order. If you're not sure, you can [use our vehicle finder...](#)

[Proceed to checkout](#)

Recent searches: