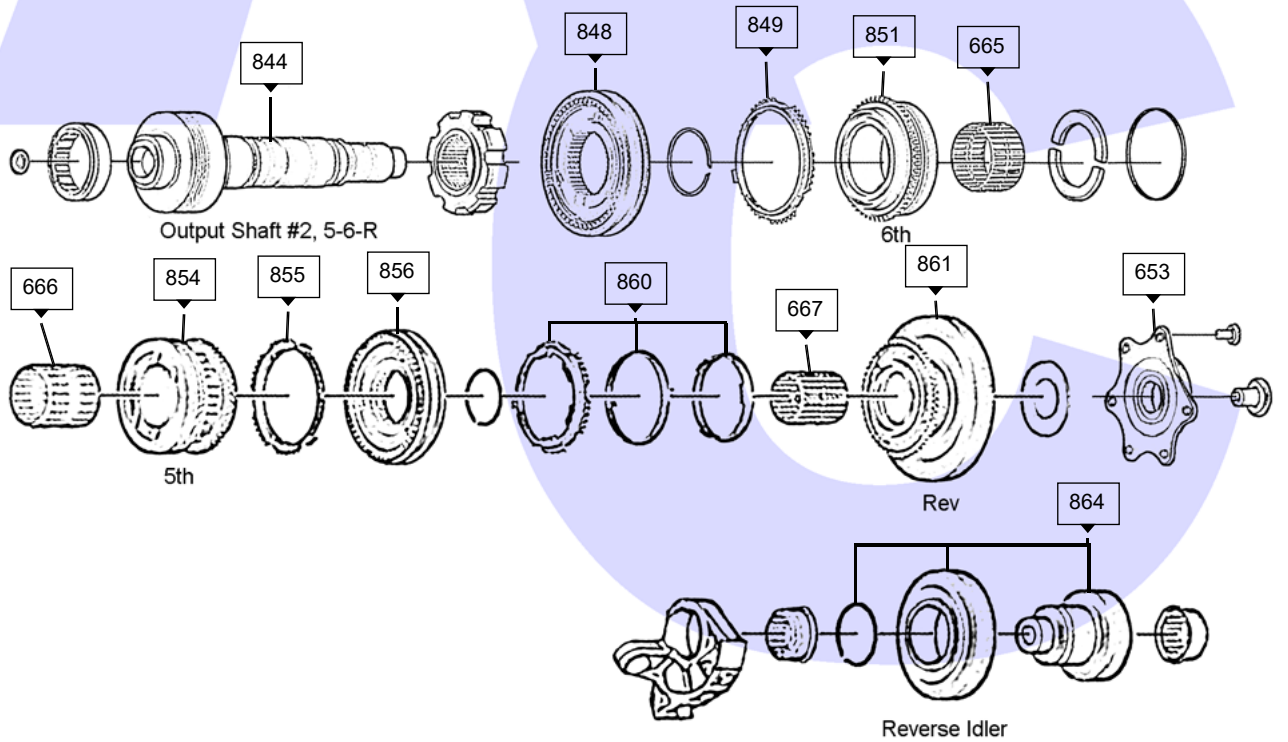
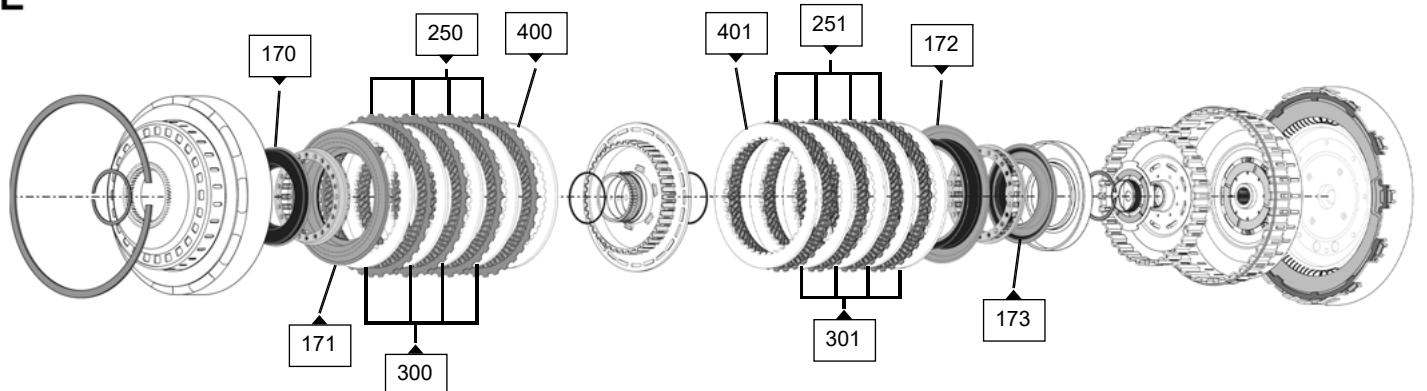


D

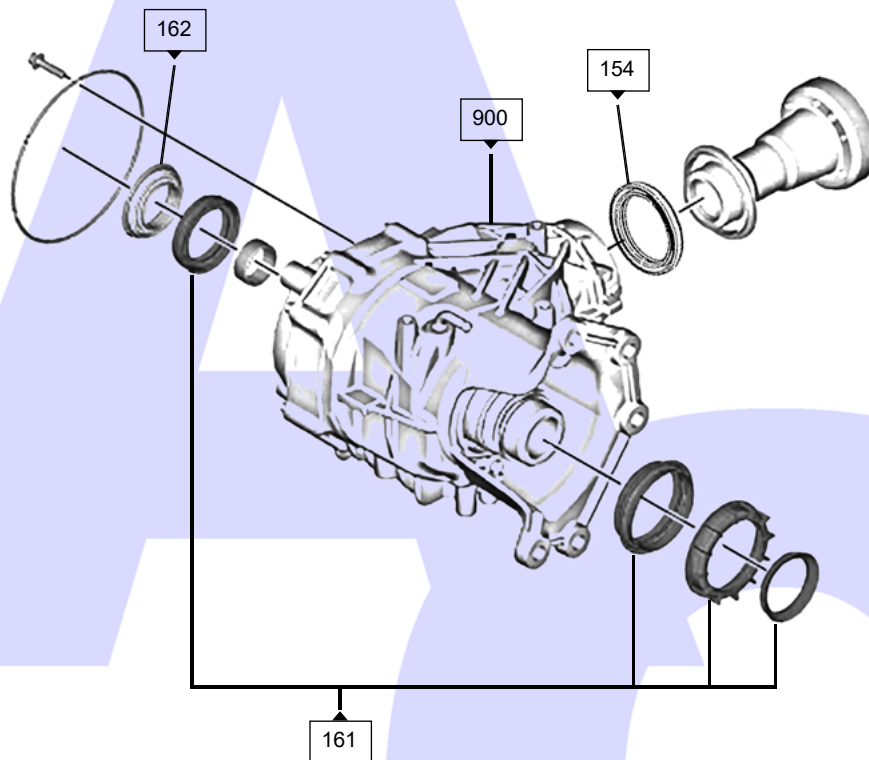


E



Dual Clutch Assembly

F



451	MPS6/6DCT450 BRACKET FOR FILTER	1	MPS6.FIL02
905	MPS6/6DCT450 EXTERNAL COOLER BOLTED TO RADIATOR	1	MPS6.COO02
907	MPS6/6DCT450 COOLER HOSE	1	MPS6.COO03
907	MPS6/6DCT450 COOLER HOSE	1	MPS6.COO05
907	MPS6/6DCT450 COOLER HOSE	1	MPS6.COO06
908	MPS6/6DCT450 COOLER HOSE	1	MPS6.COO04
908	MPS6/6DCT450 COOLER HOSE	1	MPS6.COO07

Differential & Output Parts

REF	DESCRIPTION	QUANTITY	PART NO
801	MPS6/6DCT450 TRANSMISSION-TRANSFER SLEEVE	1	MPS6.SH17
801	MPS6i/6DCT451 TRANSMISSION-TRANSFER SLEEVE	1	MPS6.SH18
850	MPS6/6DCT450 (6-SPD) DIFF. SPIDER GEAR	1	MPS6.DIFF11

Dipsticks, Oil & Related Parts

REF	DESCRIPTION	QUANTITY	PART NO
950	MPS6/6DCT450 OIL	AR	MPS6.OIL01
950	MPS6/6DCT450 OIL	AR	MPS6.OIL02

Electrical Parts

REF	DESCRIPTION	QUANTITY	PART NO
	MPS6/6DCT450 SHIFT PRESSURE SOLENOID	2	MPS6.SOL01
	MPS6 LINE PRESSURE & CLUTCH COOLING SOLENOID	2	MPS6.SOL02
	MPS6 SHIFT SELECT, MULTIPLEX SOLENOID	5	MPS6.SOL03
	MPS6/6DCT450 SOLENOID KIT	1	MPS6.SOL10
	MPS6/6DCT450 SOLENOID KIT	1	MPS6.SOL11
700	MPS6/6DCT450 ENGINE SPEED SENSOR	1	MPS6.ELE01
700	MPS6i/DCT451 ENGINE SPEED SENSOR	1	MPS6.ELE02
700	MPS6/DCT450 ENGINE SPEED SENSOR	1	MPS6.ELE11

Filters & Screens

REF	DESCRIPTION	QUANTITY	PART NO
450	MPS6/6DCT450 INTERNAL FILTER	1	MPS6.FIL01
450	MPS6/6DCT450 INTERNAL FILTER	1	MPS6.FIL21
451	MPS6/6DCT450 EXTERNAL COOLER BYPASS/FILTER	1	MPS6.COO01

Friction & Steel Plates

REF	DESCRIPTION	QUANTITY	PART NO
	M MPS6 CLUTCH REPAIR KIT	1	MPS6.CRK01
	M MPS6 CLUTCH REPAIR KIT	1	MPS6.CRK02
	MPS6/6DCT450 CLUTCH FRICTION KIT	1	MPS6.FRK01

451	MPS6/6DCT450 BRACKET FOR FILTER	1	MPS6.FIL02
452	MPS6/6DCT450 EXTERNAL FILTER	1	MPS6.FIL14
452	MPS6/6DCT450 EXTERNAL FILTER	1	MPS6.FIL54
453	MPS6/6DCT450 EXTERNAL FILTER	1	MPS6.FIL04

	MPS6i/6DCT451 CLUTCH FRICTION KIT	1	MPS6.FRK02
	MPS6/6DCT450 CLUTCH FRICTION KIT	1	MPS6.FRK51
	MPS6/6DCT450 STEEL PLATE KIT	1	MPS6.STK51
	MPS6/6DCT450 STEEL PLATE KIT	1	MPS6.STK61
250	MPS6/6DCT450 WD CLUTCH K1 FRICTION 2008-UP - BW	4	MPS6.FRP01
250	MPS6/6DCT450 WD CLUTCH K1 FRICTION 2008-UP - ALLOMATIC/RAYBESTOS	4	MPS6.FRP11
250	MPS6/6DCT450 WD CLUTCH K1 FRICTION (1/3/5/REVERSE) 2008-UP - EXEDY/DYNAX	1	MPS6.FRP21
251	MPS6/6DCT450 WD CLUTCH K2 FRICTION 2008-UP - BW	4	MPS6.FRP02
251	MPS6/6DCT450 WD CLUTCH K2 FRICTION 2008-UP - ALLOMATIC/RAYBESTOS	4	MPS6.FRP12
251	MPS6/6DCT450 WD CLUTCH K2 FRICTION (2/4/6) 2008-UP - EXEDY/DYNAX	1	MPS6.FRP22
300	MPS6/6DCT450 K1 & K2 STEEL PLATE	AR	MPS6.STP02
300	MPS6/6DCT450 K1 & K2 STEEL PLATE	AR	MPS6.STP12
400	MPS6/6DCT450 K1 STEEL PLATE	1	MPS6.STP11
401	MPS6/6DCT450 K2 STEEL PLATE	1	MPS6.STP13

Gaskets, Seals & Closing Parts

REF	DESCRIPTION	QUANTITY	PART NO
	M MPS6 CLUTCH REPAIR KIT	1	MPS6.CRK01
	M MPS6 CLUTCH REPAIR KIT	1	MPS6.CRK02
	MPS6/6DCT450 MECHATRONIC SUBKIT	1	MPS6.SUBKIT01
100	MPS6/6DCT450 STATOR GASKET	1	MPS6.GAS02
100	MPS6i/6DCT451 STATOR GASKET	1	MPS6.GAS05
100	MPS6/6DCT450 STATOR GASKET KIT	1	MPS6.GK01
100	MPS6/6DCT450 GASKET KIT	1	MPS6.GK51
102	MPS6/6DCT450 PAN GASKET	1	MPS6.GAS01
103	MPS6/6DCT450 VALVE BODY GASKET KIT	1	MPS6.GK02
104	MPS6/6DCT450 VALVE BODY GASKET	1	MPS6.GAS03
104	MPS6i/6DCT451 VALVE BODY GASKET	1	MPS6.GAS06
105	MPS6/6DCT450 VALVE BODY GASKET	1	MPS6.GAS04
106	MPS6/6DCT450 EXTERNAL COOLER/BYPASS FILTER SEAL	1	MPS6.GAS07
106	MPS6i/6DCT451 EXTERNAL COOLER/BYPASS FILTER GASKET	1	MPS6.GAS08

Gears & Shafts

REF	DESCRIPTION	QUANTITY	PART NO
821	MPS6/6DCT450 INPUT SHAFT #2	1	MPS6.SH03
821	MPS6/6DCT450 INPUT SHAFT #2	1	MPS6.SH04
821	MPS6i/6DCT451 INPUT SHAFT #2	1	MPS6.SH11
822	MPS6/6DCT450 5TH GEAR	1	MPS6.GE01
822	MPS6/6DCT450 5TH GEAR	1	MPS6.GE02
822	MPS6i/6DCT451 5TH GEAR	1	MPS6.GE12
823	MPS6/6DCT450 INPUT SHAFT #1	1	MPS6.SH01
823	MPS6/6DCT450 INPUT SHAFT #1	1	MPS6.SH02
823	MPS6i/6DCT451 INPUT SHAFT #1	1	MPS6.SH12
823	MPS6/6DCT450 INPUT SHAFT #1	1	MPS6.SH16
824	MPS6/6DCT450 OUTPUT SHAFT #1	1	MPS6.SH05
824	MPS6/6DCT450 OUTPUT SHAFT #1	1	MPS6.SH06
824	MPS6i/6DCT451 OUTPUT SHAFT #1	1	MPS6.SH13
825	MPS6/6DCT450 2ND GEAR	1	MPS6.GE05
825	MPS6i/6DCT451 2ND GEAR	1	MPS6.GE13
832	MPS6/6DCT450 4TH GEAR	1	MPS6.GE06
832	MPS6i/6DCT451 4TH GEAR	1	MPS6.GE14
835	MPS6/6DCT450 3RD GEAR	1	MPS6.GE03
843	MPS6/6DCT450 1ST GEAR	1	MPS6.GE04
843	MPS6/6DCT450 1ST GEAR	1	MPS6.GE18
844	MPS6/6DCT450 OUTPUT SHAFT #2	1	MPS6.SH07
844	MPS6/6DCT450 OUTPUT SHAFT #2	1	MPS6.SH08
844	MPS6i/6DCT451 OUTPUT SHAFT #2	1	MPS6.SH14
851	MPS6/6DCT450 6TH GEAR	1	MPS6.GE07
851	MPS6/6DCT450 6TH GEAR	1	MPS6.GE08
851	MPS6i/6DCT451 6TH GEAR	1	MPS6.GE15
851	MPS6i/6DCT451 6TH GEAR	1	MPS6.GE16
854	MPS6/6DCT450 5TH GEAR	1	MPS6.GE09
861	MPS6/6DCT450 REVERSE GEAR	1	MPS6.GE10
864	MPS6/6DCT450 REVERSE IDLER	1	MPS6.SH09

Housings, Cases & Parts

REF	DESCRIPTION	QUANTITY	PART NO
809	MPS6/6DCT450 SHAFT COVER	3	MPS6.COV03
810	MPS6/6DCT450 VALVE BODY COVER	1	MPS6.COV02
810	MPS6/6DCT450 VALVE BODY COVER	1	MPS6.COV06
810	MPS6i/6DCT451 VALVE BODY COVER	1	MPS6.COV07
810	MPS6/6DCT450 VALVE BODY COVER	1	MPS6.COV12
813	MPS6/6DCT450 CASE BREATHER PIPE	1	MPS6.BRE01

Manuals, Tools & Consumables

REF	DESCRIPTION	QUANTITY	PART NO
	DPS6/6DCT250 GUIDE SEAL INSTALLER	1	DPS6.TOOL01
	DPS6/6DCT250 OUTER INPUT SEAL INSTALLER TOOL	1	DPS6.TOOL02
	DPS6/6DCT250 OUTER INPUT SHAFT SEAL REMOVER	1	DPS6.TOOL03
	MPS6/6DCT450 FRONT SEAL INSTALLER OUTER	1	MPS6.TOOL04
	MPS6/6DCT450 GETRAG FRONT SEAL INSTALLER INNER	1	MPS6.TOOL05
	MPS6/6DCT450 REAMER KIT FOR MPS6.VA11	1	MPS6.VA12
	MPS6/6DCT450 TOOL SETTING GAUGE FOR DOG-CLUTCH	1	TOOL.189
	MPS6/6DCT450 CLUTCH DRUM REMOVER	1	TOOL.192

- [Home](#)
- [6DCT450 Transmission Catalogue](#)

Metal Clad Seals & Seal Rings

REF	DESCRIPTION	QUANTITY	PART NO
	MPS6/6DCT450 O-RING KIT	1	MPS6.ORK51
	MPS6/6DCT450 SEALING RING KIT	1	MPS6.SRK01
	MPS6/SPS6 SEALING RING KIT	1	MPS6.SRK51
	MPS6/6DCT450 MECHATRONIC SUBKIT	1	MPS6.SUBKIT01
	MPS6/6DCT450 MECHATRONIC SENSOR SUBKIT	1	MPS6.SUBKIT02
100	MPS6/6DCT450 STATOR GASKET KIT	1	MPS6.GK01
100	MPS6/6DCT450 GASKET KIT	1	MPS6.GK51
120	MPS6/6DCT450 DRIVE SHAFT O-RING	1	MPS6.OR02
122	MPS6/6DCT450 EXTERNAL OIL FILTER HOUSING O-RING	1	MPS6.OR03
123	MPS6/6DCT450 4X4 ADAPTOR SHAFT O-RING	1	MPS6.OR04
151	MPS6/6DCT450 DRIVE SHAFT SEAL	1	MPS6.MCS02
151	MPS6/6DCT450 DRIVE SHAFT SEAL	1	MPS6.MCS22
152	MPS6/6DCT450 DRIVE SHAFT SEAL	1	MPS6.MCS07
153	MPS6/6DCT450 SELECTOR SHAFT SEAL	1	MPS6.MCS03
154	MPS6/6DCT450 REAR OUTPUT SEAL	1	MPS6.MCS04
155	MPS6/6DCT450 OIL SHIELD	1	MPS6.RET02
157	MPS6/6DCT450 DRIVE SHAFT SEAL	-	MPS6.MCS05
157	MPS6/6DCT450 DRIVE SHAFT SEAL	1	MPS6.MCS06
157	MPS6/6DCT450 DRIVE SHAFT SEAL	1	MPS6.MCS08
158	MPS6/6DCT450 ADAPTER SHAFT SEAL OEM	1	MPS6.MCS09
158	MPS6/6DCT450 ADAPTER SHAFT SEAL AFTERMARKET	1	MPS6.MCS59
159	MPS6/6DCT450 FRONT DAMPENER SEAL	1	MPS6.MCS01
159	MPS6/6DCT450 FRONT DAMPENER SEAL	1	MPS6.MCS31
159	MPS6/6DCT450 FRONT DAMPENER SEAL	1	MPS6.MCS32
161	MPS6/6DCT450 PTO SEAL KIT	1	MPS6.MCS10
162	MPS6/6DCT450 FRONT OUTPUT SEAL	1	MPS6.MCS11
200	MPS6/6DCT450 CLUTCH TOWER SEAL RING	5	MPS6.SSR01
200	MPS6/6DCT451 CLUTCH TOWER SEAL RING	1	MPS6.SSR02

Pump & Hydraulic Parts

REF	DESCRIPTION	QUANTITY	PART NO
802	MPS6/6DCT450 STATOR SHAFT	1	MPS6.SH10
802	MPS6i/6DCT451 STATOR SHAFT	1	MPS6.SH15
802	MPS6i/6DCT451 STATOR SHAFT	1	MPS6.SH55
806	MPS6/6DCT450 OIL PUMP	1	MPS6.PUM01
808	MPS6/6DCT450 PUMP DRIVE GEAR	1	MPS6.GE11
808	MPS6i/6DCT451 PUMP DRIVE GEAR	1	MPS6.GE17

Valve Bodies & Accumulators

REF	DESCRIPTION	QUANTITY	PART NO
	MPS6/6DCT450 VALVE BUSHING/SLEEVE	2	MPS6.VA13
750	MPS6/6DCT450 MECHATRONIC **THIS MECHATRONIC IS A BLANK VERSION, WITHOUT	1	MPS6.VB01

Overhaul, Repair & Gasket Kits

REF	DESCRIPTION	QUANTITY	PART NO
	MPS6/6DCT450 OVERHAULKIT	1	MPS6.OHK01
	MPS6/6DCT450 OVERHAULKIT	1	MPS6.OHK02
	MPS6/6DCT450 OVERHAULKIT	1	MPS6.OHK11
	MPS6/6DCT450 OVERHAULKIT	1	MPS6.OHK51
	MPS6/6DCT450 OVERHAULKIT	1	MPS6.OHK52
	MPS6/6DCT450 MECHATRONIC SUBKIT	1	MPS6.SUBKIT01
	MPS6/6DCT450 MECHATRONIC SENSOR SUBKIT	1	MPS6.SUBKIT02
100	MPS6/6DCT450 STATOR GASKET KIT	1	MPS6.GK01
100	MPS6/6DCT450 GASKET KIT	1	MPS6.GK51
103	MPS6/6DCT450 VALVE BODY GASKET KIT	1	MPS6.GK02

Pistons, Retainers & Springs

REF	DESCRIPTION	QUANTITY	PART NO
	M MPS6 CLUTCH REPAIR KIT	1	MPS6.CRK01
	M MPS6 CLUTCH REPAIR KIT	1	MPS6.CRK02
	MPS6/6DCT450 OVERHAULKIT	1	MPS6.OHK02
	MPS6/6DCT450 OVERHAULKIT	1	MPS6.OHK51
	MPS6/6DCT450 SELECTOR RAIL PISTON SMALL	6	MPS6.PIS01
	MPS6/6DCT450 SELECTOR RAIL PISTON LARGE	2	MPS6.PIS02
	MPS6/DCT450 SELECTOR RAIL PISTON KIT	1	MPS6.PISKIT02
	MPS6/6DCT450 CLUTCH PISTON KIT	1	MPS6.PISKIT51
	MPS6/DCT450 SELECTOR RAIL PISTON KIT	1	MPS6.PISKIT52
	MPS6i/6DCT451 PISTON KIT	1	MPS6.PISKIT53
	MPS6/6DCT450 PISTON KIT	1	MPS6.PISKIT61
	M MPS6/6DCT450 CLUTCH PISTON KIT	1	MPS6.PISKIT62
170	MPS6/6DCT450 CLUTCH PISTON	2	MPS6.PIS63
171	MPS6/6DCT450 CLUTCH PISTON	2	MPS6.PIS64

Snap & Retaining Rings

REF	DESCRIPTION	QUANTITY	PART NO
430	MPS6/6DCT450 PUMP GEAR RETAINING CLIP	1	MPS6.CIR01

Synchronizer & Selector Parts

REF	DESCRIPTION	QUANTITY	PART NO
	MPS6/6DCT450 SELECTOR RAIL PISTON SMALL	6	MPS6.PIS01
	MPS6/6DCT450 SELECTOR RAIL PISTON LARGE	2	MPS6.PIS02
	MPS6/DCT450 SELECTOR RAIL PISTON KIT	1	MPS6.PISKIT02
	MPS6/DCT450 SELECTOR RAIL PISTON KIT	1	MPS6.PISKIT52
807	MPS6/6DCT450 DETENT PLUNGER	4	MPS6.PLUN01
811	MPS6/6DCT450 SHIFT FORK	1	MPS6.FORK02
812	MPS6/6DCT450 SHIFT FORK	1	MPS6.FORK01
814	MPS6/6DCT450 SHIFT FORK	1	MPS6.FORK04
815	MPS6/6DCT450 SHIFT FORK	1	MPS6.FORK03
829	MPS6/6DCT450 SYNCHRONIZER	1	MPS6.SYNC01
830	MPS6/6DCT450 SYNCHRONIZER HUB	1	MPS6.HUB02
831	MPS6/6DCT450 SYNCHRONIZER	1	MPS6.SYNC02
840	MPS6/6DCT450 SYNCHRONIZER HUB	1	MPS6.HUB01
848	MPS6/6DCT450 SYNCHRONIZER HUB	1	MPS6.HUB04
849	MPS6/6DCT450 SYNCHRONIZER	1	MPS6.SYNC03
856	MPS6/6DCT450 SYNCHRONIZER HUB	1	MPS6.HUB03

[Print this catalogue](#)
[Favourite](#)

6DCT450 Transmission Catalogue

	SOFTWARE. OE PROGRAMMING IS ESSENTIAL** Because of the above we can't give any warranty on this Mechatronic. Returned items can't be accepted!		
750	MPS6/6DCT450 MECHATRONIC **THIS MECHATRONIC IS A BLANK VERSION, WITHOUT SOFTWARE. OE PROGRAMMING IS ESSENTIAL** Because of the above we can't give any warranty on this Mechatronic. Returned items can't be accepted!	1	MPS6.VB03
750	MPS6/6DCT450 MECHATRONIC **THIS MECHATRONIC IS A BLANK VERSION, WITHOUT SOFTWARE. OE PROGRAMMING IS ESSENTIAL** Because of the above we can't give any warranty on this Mechatronic. Returned items can't be accepted!	1	MPS6.VB04
750	MPS6/6DCT451 MECHATRONIC **THIS MECHATRONIC IS A BLANK VERSION, WITHOUT SOFTWARE. OE PROGRAMMING IS ESSENTIAL** Because of the above we can't give any warranty on this Mechatronic. Returned items can't be accepted!	1	MPS6.VB06
750	MPS6/6DCT450 VALVE BODY - GEN-1 - FORD/VOLVO - REMAN	1	MPS6.VB21
750	MPS6/6DCT450 VALVE BODY REBUILD - R&R ONLY	1	MPS6.VB51
750	MPS6/6DCT450 CHRYSLER MECHATRONIC REBUILD W. NEW SOLENOIDS- R&R ONLY	1	MPS6.VB53
751	MPS6/6DCT450 OVERSIZED PRIMARY PRESSURE REGULATOR VALVE	1	MPS6.VA11
752	MPS6/DCT450 PRESSURE REGULATOR END PLUG	1	MPS6.VA14
922	MPS6/6DCT450 TRANSMISSION RANGE SENSOR CENTERING BOLT	1	MPS6.NUT01

Getrag 6DCT450 is a 6-speed DCT transmission, with a wet clutch. It is used in a wide variety of vehicles, such as Ford, Renault, Volvo, Dodge & Fiat. The 6DCT450 is the 1st generation of the transmission. For the second generation you can have a look at the 6DCT451 catalogue.

[Read more](#)

- [Tools catalogue for this transmission](#)
- [Important Warranty Notice MPS6.REP01](#)
- **Clutch Clearance K1 & K2 Clutch: 2.16mm-2.28mm (.085"-.090")**

[Show less](#)

[Close](#)

For transmissions:

6DCT450 MPS6 PowerShift [Show more](#)

- 6-speed
- Dual Clutch Transmission
- Getrag

- [Product map](#)
- [Products](#)

[Filter results](#)

Productgroup

Basic Overhaul Parts

- [Select all](#) Covers (7) Dual Clutches (14) Filters - Cartridge (3) Filters - Transmission (2) Friction Plate Kits (5) Mechatronics (4) Oils (2) Overhaul Kits (5) Piston Kits (10) Seal Kits (2) Solenoid Kits (2) Steel Plate Kits (4) Valve Bodies (3) Washer Kits - Thrust (1)

Bearings, Bushings & Washers

- [Select all](#) Bearings - Ball (5) Bearings - Needle Roller (10) Bearings - Roller (2) Bearings - Thrust (1) Races - Bearing (1) Sleeves (1) Washer Kits - Thrust (1)

Bolts, Nuts & Mounting Parts

- [Select all](#) Bolts (1) Caps (1) Hoses (5) Plugs (2)

Clutches, Flywheels & Parts

- [Select all](#) Caps (1) Covers (7) Dual Clutches (14) Flywheels (4) Piston Kits (8) Pistons (2) Plugs (1) Repair Kits (5) Retainers (6) Springs - Coil (5)

Complete Units

- [Select all](#) Angle Drives (1)

Coolers & Parts

- [Select all](#) Brackets (2) Coolers (1) Hoses (5)

Differential & Output Parts

- [Select all](#) Shafts - Adapter (2) Sleeves (2) Spider Gears (1)

Dipsticks, Oil & Related Parts

- [Select all](#) Oils (2)

Electrical Parts

- [Select all](#) Sensors (3) Solenoid Kits (2) Solenoids (5)

Filters & Screens

- [Select all](#) Brackets (2) Filters - Cartridge (3) Filters - Transmission (2)

Friction & Steel Plates

- [Select all](#) Friction Plate Kits (5) Friction Plates (6) Steel Plate Kits (4) Steel Plates (4)

Gaskets, Seals & Closing Parts

- [Select all](#) Gaskets (14)

Gears & Shafts

- [Select all](#) Gears (16) Shafts - Idler Gear (1) Shafts - Input (7) Shafts - Output (6)

Housings, Cases & Parts

- [Select all](#) Breathers (1) Covers (4) Plugs (1)

Manuals, Tools & Consumables

- [Select all](#) Tools - Transmission (7) Tools - Valve Body (1)

Metal Clad Seals & Seal Rings

- [Select all](#) Metal Clad Seals (16) Retainers (1) Seal Ring Kits - Rubber (1) Seal Ring Kits - Solid (2) Seal Rings - Lip Seals (1) Seal

Rings - O-Rings (6) Seal Rings - Solid (2)

Overhaul, Repair & Gasket Kits

- [Select all](#) Gasket Kits (3) Overhaul Kits (5) Seal Kits (2)

Pistons, Retainers & Springs

- [Select all](#) Piston Kits (10) Pistons (4)

Pump & Hydraulic Parts

- [Select all](#) Pump Gears (2) Pumps (1) Shafts - Stator Support (3)

Snap & Retaining Rings

- [Select all](#) Retaining Rings (1)

Synchronizer & Selector Parts

- [Select all](#) Hubs - Synchronizer (4) Piston Kits (2) Pistons (2) Plungers (1) Selector Forks (4) Synchronizer Rings (3)

Valve Bodies & Accumulators

- [Select all](#) Bolts (1) Mechatronics (4) Plugs (1) Sleeves (1) Valve Bodies (3) Valves (1)

[Toon resultaten](#)

Quick order



Quick order

Enter the AC part number here to order. If you're not sure, you can [search using our vehicle lookup...](#)

[Proceed to checkout](#)

Search

Recent searches: