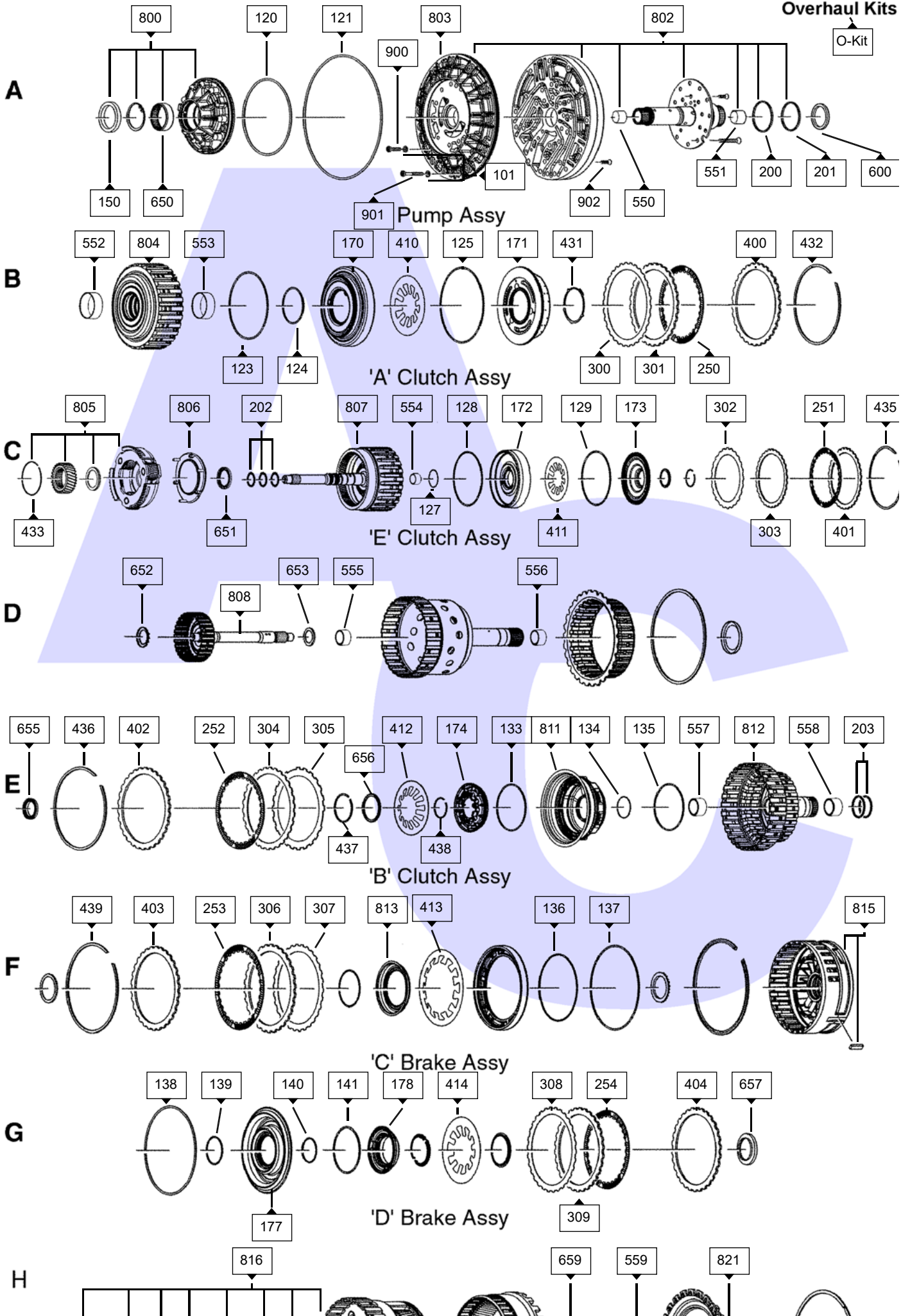
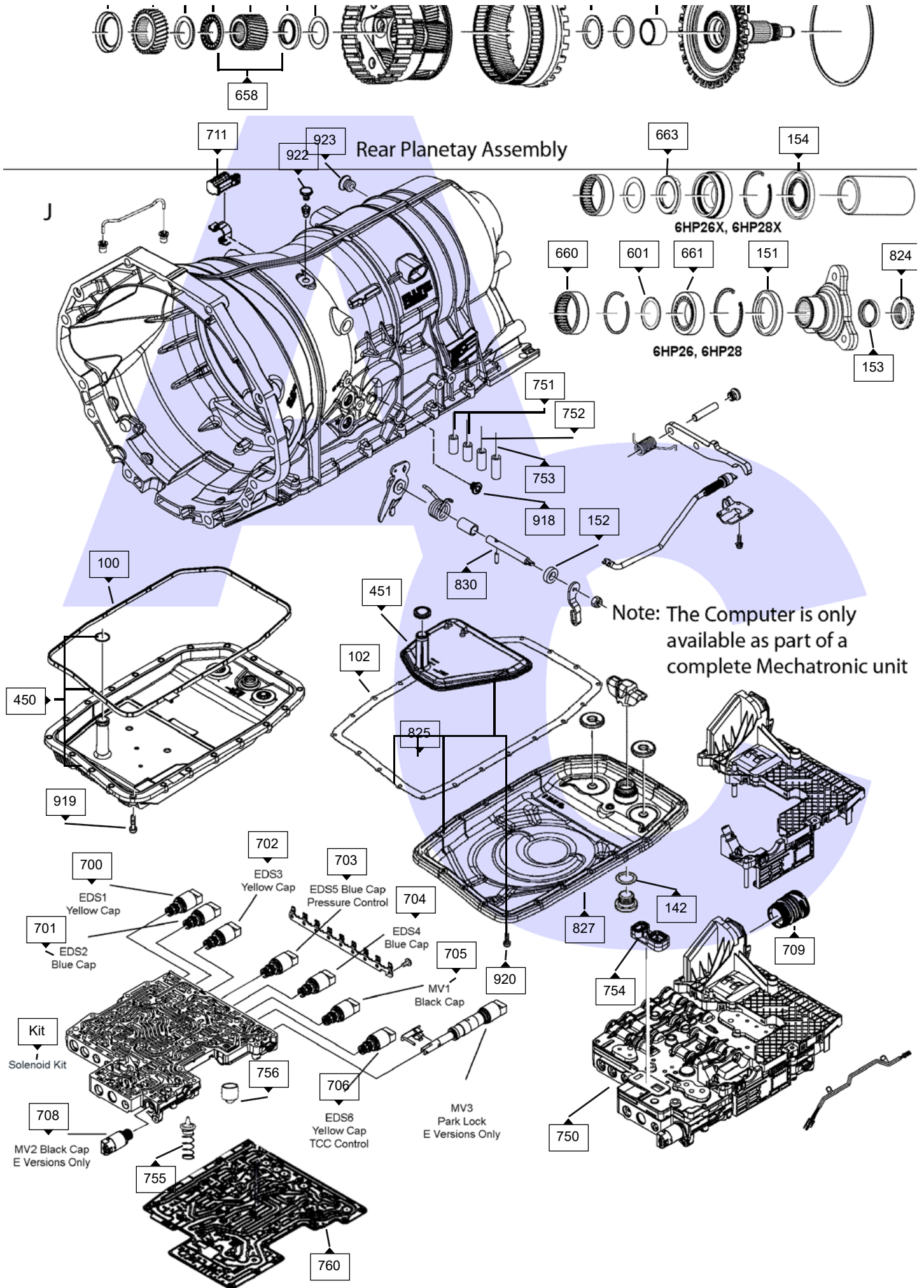


Overhaul Kits





EXCHANGE			
6HP26 CONVERTER BMW Z73 CSR Rebuild	1	6HP26.TC13	
Converter BMW, Z73	1	6HP26.TC13A	
6HP26 CONVERTER BMW F85/H85 CSR Rebuild	1	6HP26.TC14	
6HP26 CONVERTER BMW F85/H85 Sachs Rebuild	1	6HP26.TC14A	
6HP26 CONVERTER BMW F85/H85 ZF OEM EXCHANGE	1	6HP26.TC14B	
6HP26 CONVERTER BMW G85 CSR Rebuild	1	6HP26.TC15	
6HP26 CONVERTER BMW V83 CSR Rebuild	1	6HP26.TC16	
6HP26 CONVERTER V83 Sachs Rebuild	1	6HP26.TC16A	
6HP26 CONVERTER BMW Y83 CSR Rebuild	1	6HP26.TC17	
6HP26 CONVERTER Y83 Sachs Rebuild	1	6HP26.TC17A	
6HP26 CONVERTER BMW C82 CSR Rebuild	1	6HP26.TC18	
6HP26 CONVERTER BMW C82 Sachs Rebuild	1	6HP26.TC18A	
6HP26 CONVERTER C82	1	6HP26.TC18B	
6HP26 CONVERTER BMW A84 D82 CSR Rebuild	1	6HP26.TC19	
6HP26 CONVERTER A84, D82 Sachs Rebuild	1	6HP26.TC19A	
6HP26 CONVERTER K63/J74 CSR Rebuild	1	6HP26.TC26	
6HP26 CONVERTER K63/J74/F93 Sachs Rebuild	1	6HP26.TC26A	
6HP26 CONVERTER D82 CSR Rebuild	1	6HP26.TC29	
6HP26 CONVERTER JAGUAR J93 CSR Rebuild	1	6HP26.TC30	
6HP26 BMW 535 H85	1	6HP26.TC31	
6HP26 CONVERTER JAG. B84 Q76 J65 Q76 CSR Rebuild	1	6HP26.TC32	
6HP26 CONVERTER JAG. B84 Q76 Sachs Rebuild	1	6HP26.TC32A	
6HP28 CONVERTER V102 BMW 3.0D	1	6HP26.TC33	
6HP26 CONVERTER N85/J85/G85	1	6HP26.TC34	
6HP26 CONVERTER N85/J85 Sachs Rebuild	1	6HP26.TC34A	
6HP26 CONVERTER Z92 Sachs Rebuild	1	6HP26.TC35A	
ZF code S102/L85 Maserati	1	6HP26.TC42	
MASERATI 6HP26 CONVERTER L85 ZF	1	6HP26.TC42B	
6HP26 CONVERTER	1	6HP26.TC50	
6HP26 CONVERTER	1	6HP26.TC51	
6HP26 CONVERTER K74	1	6HP26.TC52	
6HP26 CONVERTER J76 JAGUAR	1	6HP26.TC53	
6HP26 CONVERTER V74	1	6HP26.TC54	
6HP26 CONVERTER L74	1	6HP26.TC55	
6HP26 FORD 6R60 JAGUAR 4.2 SUPERCHARGED J65	1	6HP26.TC56	
6HP26 JAGUAR 2.7 DIESEL V6 Y85	1	6HP26.TC57	
6HP26 TORQUE CONVERTER	1	6HP26.TC58	
6HP26 CONVERTER B84 ZF EXCHANGE	1	6HP26.TC59	
6HP26 CONVERTER OEM B85	1	6HP26.TC60	
"6HP26 CONVERTER ""N107""	1	6HP26.TC62	
6HP26 FORD FALCON TC Y84	1	6HP26.TC63	
6HP26 CONVERTER V83	1	6HP26.TC64	
6HP26 CONVERTER S98	1	6HP26.TC65	
6HP26 TORQUE CONVERTER A104	1	6HP26.TC66	
6HP28 CONVERTER V102	1	6HP28.TC01	
6HP28 CONVERTER V102 Sachs Rebuild	1	6HP28.TC01A	
6HP28 CONVERTER V102	1	6HP28.TC01B	
6HP28 CONVERTER N107	1	6HP28.TC02	
6HP28 CONVERTER N107 Sachs Rebuild	1	6HP28.TC02A	
6HP28 CONVERTER D126 / J116	1	6HP28.TC03	
6HP28 CONVERTER D126 / J116 Sachs Rebuild	1	6HP28.TC03A	
6HP28 CONVERTER P121, Q121	1	6HP28.TC04	
6HP28 CONVERTER P121, Q121 Sachs Rebuild	1	6HP28.TC04A	
6HP28 CONVERTER S121 Csr Rebuild	1	6HP28.TC05	
6HP28 CONVERTER S121 Sachs Rebuild	1	6HP28.TC05A	
6HP28 CONVERTER B110	1	6HP28.TC06	
6HP28 CONVERTER B110 SACHS	1	6HP28.TC06A	
6HP28 CONVERTER B110	1	6HP28.TC06B	
6HP28/28X A110 JAG/LAND ROVER 5.0L V8 N/A	1	6HP28.TC09	
6HP28/28X A110 JAG/LAND ROVER 5.0L V8 - ZF OEM	1	6HP28.TC09B	
6HP28 CONVERTER BMW Q121 - ZF NEW	1	6HP28.TC11	
Jaguar V8 5.0 L A110	1	6HP28.TC20	
6HP28 CONVERTER C111 / B104 BMW 540i	1	6HP28.TC26	
ZF FLUID LIFE GUARD 6 (1LTR)	AR	OIL.53	
ZF FLUID LIFE GUARD 6 (20 LTR)	AR	OIL.54	
ZF FLUID LIFE GUARD 6 (209 LTR)	AR	OIL.55	
ZF FLUID LIFE GUARD 6 - CONTAINER 1000LTR	AR	OIL.56	
ZF FLUID LIFE GUARD 1 - 6HP26 OIL.ADD. (1 LTR)	AR	OIL.58	
450 6HP26/28 ZF OILPAN W/FILTER & GASKET KIT - OEM	1	6HP26.PAN01	
450 6HP26 ZF OILPAN W/FILTER & GASKET KIT -	1	6HP26.PAN04	

	SHAFT- (55x63x20)		
661	6HP26 BALL BEARING OUTPUT	1	6HP26.BE03
663	6HP26X/6HP28X REAR OUTPUT TRUST BEARING	1	6HP26.TOR07

## Bolts, Nuts & Mounting Parts

REF	DESCRIPTION	QUANTITY	PART NO
	4HP20/5HP18/19/14/30/8HP45/70 CASE PLUG (M10 X	1	4HP20.PLU01
	6HP26/28/32 BMW/JLR SERVICE KIT (PLASTIC PAN) - CONTAINS PLASTIC FILTER PAN, 7L ATF, 21 OIL PAN SCREWS & ELECTRICAL CONNECTOR PLUG - OEM	1	6HP26.SERKIT
	6HP26/28/32 BMW/JLR SERVICE KIT (PLASTIC PAN) - CONTAINS PLASTIC FILTER PAN, 7L ATF, 21 OIL PAN SCREWS & FILLER PLUG - OEM	1	6HP26.SERKIT01
709	6HP19/26 MECHATRONIC-CASE CONNECTOR PLUG	1	6HP26.ELE01
824	6HP19/26 NUT OUTPUTSHAFT	1	6HP26.NUT03
900	6HP26/28 PUMP SCREW & WASHER M6 X 22MM (1 PER TRANSMISSION)	1	6HP26.NUT04
901	6HP19/26 PUMP SCREW WITH WASHER	11 - 13	6HP19.NUT01
919	6HP19/26 SCREW OILPAN (NEED 21)	12 - 24	6HP26.NUT01
920	6HP26 SCREW FOR METAL SUMP (BMW X5)	21	6HP26.NUT02
922	PLASTIC BREATHER CAP	1	6HP26.CAP01

## Differential & Output Parts

REF	DESCRIPTION	QUANTITY	PART NO
824	6HP19/26 NUT OUTPUTSHAFT	1	6HP26.NUT03

## Dipsticks, Oil & Related Parts

REF	DESCRIPTION	QUANTITY	PART NO
	6HP26/28/32 BMW/JLR SERVICE KIT (PLASTIC PAN) - CONTAINS PLASTIC FILTER PAN, 7L ATF, 21 OIL PAN SCREWS & ELECTRICAL CONNECTOR PLUG - OEM	1	6HP26.SERKIT
	6HP26/28/32 BMW/JLR SERVICE KIT (PLASTIC PAN) - CONTAINS PLASTIC FILTER PAN, 7L ATF, 21 OIL PAN SCREWS & FILLER PLUG - OEM	1	6HP26.SERKIT01
	6HP26/32 BMW SERVICE KIT (STEEL PAN) - CONTAINS TRANSMISSION OIL FILTER, 7L ATF, GASKET, FILLER PLUG O-RING & SCREW PLUG - OEM	1	6HP26.SERKIT02
	ZF FLUID LIFE GUARD 6 (1LTR)	AR	OIL.53
	ZF FLUID LIFE GUARD 6 (20 LTR)	AR	OIL.54
	ZF FLUID LIFE GUARD 6 (209 LTR)	AR	OIL.55
	ZF FLUID LIFE GUARD 6 - CONTAINER 1000LTR	AR	OIL.56
	ZF FLUID LIFE GUARD 1 - 6HP26 OIL.ADD. (1 LTR)	AR	OIL.58
918	R/OVER SUMP PLUG ALLEN HEAD NO MAGNET	1	4HP22.PLU01
923	5HP19 LEVEL PLUG BMW	1	5HP19.PLU02

## Drums, Clutch Hubs & Shafts

REF	DESCRIPTION	QUANTITY	PART NO
804	6HP26 CLUTCH DRUM A	1	6HP26.DRU05
807	6HP26 DRUM INPUT E CL (FOR 24 MM SEALS) 6 PLATE -exchange-	1	6HP26.DRU01
807	6HP26 DRUM INPUT E CL (FOR 28 MM SEALS)	1	6HP26.DRU02
807	6HP26/X/28/X E-CLUTCH DRUM+INPUTSHAFT (CHECK CODE)	1	6HP26.DRU06
808	6HP26/28 E-CLUTCH HUB / INTERMEDIATE SHAFT (CHECK CODE)	1	6HP26.HUB01
812	6HP26/X/A/28/X/A B CLUTCH DRUM	1	6HP26.DRU09
812	6HP26/X/A/28/X/A B CLUTCH DRUM (CHECK BOX CODE)	1	6HP26.DRU10
815	6HP26.DRUM C BRAKE	1	6HP26.DRU04
815	6HP26 DRUM BRAKE 5 PLATE CHECK BOX CODE	1	6HP26.DRU08
821	6HP26 OUTPUTSHAFT (CHECK CODE)	1	6HP26.SH01
821	6HP26 OUTPUTSHAFT LAND ROVER (CHECK CODE)	1	6HP26.SH02

	OEM (ALTERNATIVE)		
450	6HP26/28 OILPAN W/FILTER & GASKET KIT - AM	1	6HP26.PAN11
451	6HP26/32 FILTER FOR TRANSMISSIONS WITH STEEL PAN	1	6HP26.FIL02
451	6HP26/32 FILTER FOR TRANSMISSIONS WITH STEEL PAN	1	6HP26.FIL12
451	6HP26/32 FILTER - X5 ONLY 1068 020 011/018 AM - ALTERNATIVE	1	6HP26.FIL13
705	6HP19/26/32 SOLENOID KIT (SEE BOX CODE)	1	6HP19.SOL02
750	6HP26 VALVE BODY / MECHATRONIC OEM exchange The use of incorrect fluid may cause damage to internal parts. ZF will not accept any warranty unless the correct specifications ZF Lifeguard oil is used. **Please check the attached instructions on the box carefully for correct return of the core	1	6HP26.VB01
750	6HP26 VALVE BODY - HYDRAULIC REMAN (R&R ONLY) (NO EGS)	1	6HP26.VB01D
750	6HP28 /21VALVE BODY OEM EXCHANGE The use of incorrect fluid may cause damage to internal parts. ZF will not accept any warranty unless the correct specifications ZF Lifeguard oil is used. **Please check the attached instructions on the box carefully for correct return of the core	1	6HP28.VB01
750	6HP28 VALVE BODY - HYDRAULIC REMAN (R&R ONLY) (NO EGS)	1	6HP28.VB01D
825	6HP26 METAL SUMP KIT - OEM	1	6HP26.PAN02
825	**M** 6HP26 METAL PAN/FILTER KIT RANGE ROVER/BMW X5 (AM)	1	6HP26.PAN12
Kit	6HP19/26/32 SOLENOID KIT (SEE BOX CODE)	1	6HP19.SOL01
Kit	6HP21/28 SOLENOID KIT (SEE BOX CODE)	1	6HP19.SOL04
Kit	6HP21/28 SOLENOID KIT (SEE BOX CODE)	1	6HP19.SOL05
O-Kit	6HP26/28 OVERHAULKIT BMW/JAGUAR - OEM - 2001-	1	6HP26.OHK01
O-Kit	6HP26 O/H KIT W/O BONDED VB PLATE 2002-	1	6HP26.OHK02
O-Kit	6HP26/28/A COMBO OVERHAULKIT	1	6HP26.OHK03
O-Kit	6HP28 OVERHAULKIT-04 UP	1	6HP26.OHK04
O-Kit	6HP26/28 OVERHAULKIT BMW/JAGUAR - AM - 2001-	1	6HP26.OHK11

821	6HP26 OUTPUTSHAFT LAND ROVER (CHECK CODE)	1	6HP26.SH04
821	6HP26 OUTPUTSHAFT LAND ROVER (CHECK CODE)	1	6HP26.SH05
821	6HP26X/28X OUTPUT SHAFT BMW (CHECK CODE)	1	6HP26.SH06
821	6HP26 OUTPUT SHAFT 2WD CHECK CODES	1	6HP26.SH07

### Electrical Parts

REF	DESCRIPTION	QUANTITY	PART NO
700	6HP SOLENOID EDS 1, 3 & 6 (YELLOW) - AM	1	6HP19.SOL13
700	**USE 6HP19.SOL13** 6HP SOLENOID EDS1, 3 & 6 (YELLOW) - OE	1	6HP26.SOL03
701	6HP SOLENOID EDS 2, 4 & 5 (BLUE CAP) - AM	1	6HP19.SOL14
701	Solenoid EDS 2 4 & 5 6HP26 Blue Cap	1	6HP26.SOL04
705	6HP19/26/32 SOLENOID KIT (SEE BOX CODE)	1	6HP19.SOL02
709	6HP19/26 MECHATRONIC-CASE CONNECTOR PLUG	1	6HP26.ELE01
711	6HP19/26 EXTERNAL CAPACITOR(CHECK)	1	6HP26.ELE02
Kit	6HP19/26/32 SOLENOID KIT (SEE BOX CODE)	1	6HP19.SOL01
Kit	6HP21/28 SOLENOID KIT (SEE BOX CODE)	1	6HP19.SOL04
Kit	6HP21/28 SOLENOID KIT (SEE BOX CODE)	1	6HP19.SOL05

### Filters & Screens

REF	DESCRIPTION	QUANTITY	PART NO
	**M** 6HP26 REPAIR PACK (A051/B051)	1	6HP26.REP01
	**M** 6HP26 REPAIR PACK (A052/B052)	1	6HP26.REP02
	6HP26/28/32 BMW/JLR SERVICE KIT (PLASTIC PAN) - CONTAINS PLASTIC FILTER PAN, 7L ATF, 21 OIL PAN SCREWS & ELECTRICAL CONNECTOR PLUG - OEM	1	6HP26.SERKIT
	6HP26/28/32 BMW/JLR SERVICE KIT (PLASTIC PAN) - CONTAINS PLASTIC FILTER PAN, 7L ATF, 21 OIL PAN SCREWS & FILLER PLUG - OEM	1	6HP26.SERKIT01
	6HP26/32 BMW SERVICE KIT (STEEL PAN) - CONTAINS TRANSMISSION OIL FILTER, 7L ATF, GASKET, FILLER PLUG O-RING & SCREW PLUG - OEM	1	6HP26.SERKIT02
450	6HP26/28 ZF OILPAN W/FILTER & GASKET KIT - OEM	1	6HP26.PAN01
450	6HP26 ZF OILPAN W/FILTER & GASKET KIT - OEM (ALTERNATIVE)	1	6HP26.PAN04
450	6HP26/28 OILPAN W/FILTER & GASKET KIT - AM	1	6HP26.PAN11
451	6HP26/32 FILTER FOR TRANSMISSIONS WITH STEEL PAN	1	6HP26.FIL02
451	6HP26/32 FILTER FOR TRANSMISSIONS WITH STEEL PAN	1	6HP26.FIL12
451	6HP26/32 FILTER - X5 ONLY 1068 020 011/018 AM - ALTERNATIVE	1	6HP26.FIL13
825	6HP26 METAL SUMP KIT - OEM	1	6HP26.PAN02
825	**M** 6HP26 METAL PAN/FILTER KIT RANGE ROVER/BMW X5 (AM)	1	6HP26.PAN12

### Friction & Steel Plates

REF	DESCRIPTION	QUANTITY	PART NO
	6HP26/28/6R80 FILL FRICTION AND STEEL KIT - HP STAGE 1 - EXEDY/DYNAX	1	6HP26.CK31
	6HP26/28/6R80 FILL FRICTION AND STEEL KIT - HP STAGE 2 - EXEDY/DYNAX	1	6HP26.CK32
	FRICTION KIT 6HP26/26X/A/A61 CHECK CODES	1	6HP26.FRK01
	6HP26/X/A/A61 FRICTION KIT - CHECK CODES	1	6HP26.FRK02
	6HP26/26X/28/28X FRICTION KIT - CHECK CODES	1	6HP26.FRK03
	6HP26 FRICTION KIT ALLOMATIC (28 PLATES) 06-Up	1	6HP26.FRK11
	FRICTION KIT 6HP26/28 - USES .063"/1.60MM E-Clutch - EXEDY/DYNAX (2002-2009)	1	6HP26.FRK21
	FRICTION KIT 6HP26/28 - USES .077"/1.95MM E-Clutch - EXEDY/DYNAX (2002-2009)	1	6HP26.FRK22
	6HP26 FRICTION KIT	1	6HP26.FRK51
	**M** 6HP26 REPAIR PACK (A051/B051)	1	6HP26.REP01
	**M** 6HP26 REPAIR PACK (A052/B052)	1	6HP26.REP02
	6HP26/26X/28/28X STEEL KIT - CHECK CODES	1	6HP26.STK01
	STEEL KIT 6HP26/26X/28/28X CHECK CODES	1	6HP26.STK02
	6HP26 CLUTCH PLATE W/FRICTIONS 260mm OEM	1	Z-FS-CP-56BW

### Gaskets, Seals & Closing Parts

REF	DESCRIPTION	QUANTITY	PART NO
	6HP26 SUB KIT VALVE BODY PARTS	1	6HP26.GK01
	6HP26/32 BMW SERVICE KIT (STEEL PAN) - CONTAINS TRANSMISSION OIL FILTER, 7L ATF, GASKET, FILLER PLUG O-RING & SCREW PLUG - OEM	1	6HP26.SERKIT02
100	6HP26/28/32 PAN GASKET RUBBER - AM	1	6HP26.GAS01
100	6HP26/28/32 PAN GASKET RUBBER - OEM	1	6HP26.GAS04
102	6HP26 PAPER PAN GASKET - OEM	1	6HP26.GAS02
102	6HP26 FIBRE PAN GASKET TRANSTEC	1	6HP26.GAS03
102	6HP26 PAPER PAN GASKET AM	1	6HP26.GAS52
102	6HP32X OILPAN GASKET	1	6HP32.GAS01
751	6HP19/26 VB - MAIN CASE TUBE 25.9MM (2 PER BOX)	1 - 2	6HP26.TU01
752	6HP26/32 VB - MAIN CASE TUBE 31.4MM	1	6HP26.TU02
753	6HP26/32 VB - MAIN CASE TUBE 40.7MM	1	6HP26.TU03
825	**M** 6HP26 METAL PAN/FILTER KIT RANGE ROVER/BMW X5 (AM)	1	6HP26.PAN12

1. [Home](#)

	CONV. ZF6HP26 255MM CLUTCH PLATE - 24T / FLAT EXTERNAL - RAYBESTOS	1	Z-RH400628
	CONV. ZF6HP26 275MM CLUTCH PLATE - 20T / FLAT EXTERNAL - RAYBESTOS	1	Z-RH400629
	CONV. RAYBESTOS ZF 6HP26 CONVERTER ASSEMBLY - SMALL (260MM)	1	Z-RT400626HC
	CONV. RAYBESTOS ZF 6HP26 CONVERTER ASSEMBLY - LARGE (280MM)	1	Z-RT400627HC
	CONV. 6HP26 255MM LOCK UP PLATE 24 FLAT TAB	1	Z-ZF-CP-1
	CONV. 6HP26 280MM 24 BENT TAP LOCK UP PLATE	1	Z-ZF-CP-2
	CONV. CLUTCH PLATE 275mm - 20 FLAT TAB	1	Z-ZF-CP-5
	CONV. 6HP26 280mm LINING 24TH	1	Z-ZF-CP-6
	CONV. 6HP STEEL PLATE 7.57x5.703x0.108	1	Z-ZF-CP-7
250	6HP26 A/D FRICTIONS	4 - 7	6HP26.FRP01
250	6HP26 FRICTION A/D	4 - 7	6HP26.FRP07
250	6HP26 A(FORWARD)/ D(LOW/REVERSE) FRICTION 02-09 - AM	4 - 7	6HP26.FRP11
251	6HP26 FRICTION E-CLUTCH - BW	5 - 7	6HP26.FRP06
251	6HP26 E-FRICTION (OVERDRIVE - HIGH ENERGY) 02-09 - AM	5 - 7	6HP26.FRP16
252	6HP26 B/C FRICTIONS	4 - 5	6HP26.FRP03
252	6HP26 B(DIRECT)/ C(INTERMEDIATE) FRICTION 02-09 -AM	4 - 5	6HP26.FRP13
300	6HP26 A-CLUTCH WAVY STEEL (CHECK CODE)	1	6HP26.STP06
300	6HP26 A CLUTCH WAVY STEEL (CHECK CODE)	1	6HP26.STP11
301	6HP26 STEEL PLATE A/C (3.0MM)	1 - 5	6HP26.STP01
302	6HP26 E CLUTCH WAVY STEEL	1	6HP26.STP07
302	6HP26 STEEL PLATE E CLUTCH WAVY (CHECK BOX)	1	6HP26.STP12
303	6HP26 STEEL PLATE E (3.0MM)	6	6HP26.STP02
303	6HP26 STEEL PLATE E (2.4MM)	7	6HP26.STP04
304	6HP26 STEEL PLATE B/D (2.1MM)	1 - 7	6HP26.STP03
305	6HP26 B CLUTCH WAVY STEEL	1	6HP26.STP08
401	6HP26 PRESS.PLATE E-CLUTCH3MM	1	6HP26.PP02
402	6HP26 PRESSURE PLATE B CLUTCH 01-on	1	6HP26.PP03
403	6HP26 C-BRAKE PRESSURE PLATE 3.9MM	AR	6HP26.PP01

## Housings, Cases & Parts

REF	DESCRIPTION	QUANTITY	PART NO
	4HP20/5HP18/19/14/30/8HP45/70 CASE PLUG (M10 X)	1	4HP20.PLU01
	6HP26/28/8HP45/70/9HP48 CASE BREATHER	1 - 2	6HP26.BRE01
	6HP26/28 CASE TO BELLHOUSING BREATHER PIPE	1	6HP26.BRE02
	**M** 6HP26 REPAIR PACK (A051/B051)	1	6HP26.REP01
	**M** 6HP26 REPAIR PACK (A052/B052)	1	6HP26.REP02
	6HP26/28/32 BMW/JLR SERVICE KIT (PLASTIC PAN) - CONTAINS PLASTIC FILTER PAN, 7L ATF, 21 OIL PAN SCREWS & ELECTRICAL CONNECTOR PLUG - OEM	1	6HP26.SERKIT
	6HP26/28/32 BMW/JLR SERVICE KIT (PLASTIC PAN) - CONTAINS PLASTIC FILTER PAN, 7L ATF, 21 OIL PAN SCREWS & FILLER PLUG - OEM	1	6HP26.SERKIT01
450	6HP26/28 ZF OILPAN W/FILTER & GASKET KIT - OEM	1	6HP26.PAN01
450	6HP26 ZF OILPAN W/FILTER & GASKET KIT - OEM (ALTERNATIVE)	1	6HP26.PAN04
450	6HP26/28 OILPAN W/FILTER & GASKET KIT - AM	1	6HP26.PAN11
825	6HP26 METAL SUMP KIT - OEM	1	6HP26.PAN02
825	**M** 6HP26 METAL PAN/FILTER KIT RANGE ROVER/BMW X5 (AM)	1	6HP26.PAN12
827	6HP26 SUMP PAN STEEL - OEM	1	6HP26.PAN03
827	6HP26 METAL PAN - AM ( NO FILTER/NO GASKET )	1	6HP26.PAN62
830	6HP26X/28X SELECTOR SHAFT (CHECK CODES)	1	6HP26.SEL01
918	R/ROVER SUMP PLUG ALLEN HEAD NO MAGNET	1	4HP22.PLU01
919	6HP19/26 SCREW OILPAN (NEED 21)	12 - 24	6HP26.NUT01
920	6HP26 SCREW FOR METAL SUMP (BMW X5)	21	6HP26.NUT02
922	PLASTIC BREATHER CAP	1	6HP26.CAP01
923	5HP19 LEVEL PLUG BMW	1	5HP19.PLU02

## Manuals, Tools & Consumables

REF	DESCRIPTION	QUANTITY	PART NO
	6HP19/21/26/28/32/34 SOLENOID VACUUM TEST (SET OF 3)	1	6HP19.TOOL02
	6HP19/26/32 TOOL FOR 6HP19.VA01	1	6HP19.VA02
	6HP GEN1 TOOL FOR 6HP19.VA08	1	6HP19.VA09
	TOOL FOR 6HP19.VA10 & 6HP21.VA17	1	6HP19.VA11
	TOOL FOR 6HP19.VA17 & VA18	1	6HP19.VA12
	TOOL FOR 6HP19.VA13	1	6HP19.VA14
	TOOL FOR 6HP19.VA15	1	6HP19.VA16
	TOOL FOR 6HP19.VA22	1	6HP19.VA23
	TOOL FOR 6HP19.VA26	1	6HP19.VA27
	TOOL KIT FOR 6HP19.VA28 (ALSO NEED AG4.VA05)	1	6HP19.VA29
	TOOL KIT FOR 6HP21.VA03	1	6HP21.VA04
	TOOLKIT FOR 6HP21.VA11	1	6HP21.VA12
	TOOLKIT FOR 6HP21.VA13	1	6HP21.VA14
	TOOLKIT FOR 6HP21.VA15	1	6HP21.VA16
	TOOL KIT FOR 6HP21.VA19	1	6HP21.VA20
	6HP26 BMW CD-ROM REPAIR MANUAL	1	6HP26.MAN01
	6HP26 ATSG AUDI/JAG/BMW DIAGNOSTIC GUIDE	1	6HP26.MAN02
	6HP26 TESTPLATE FOR VB TESTER - TOOL.139	1	6HP26.TOOL01
	6HP26 TOOLKIT BUSHING INSTALL	1	6HP26.TOOL02
	6HP26 / 6HP28 BUSHING INSTALLER KIT (8 PIECE)	1	6HP26.TOOL03
	6HP21-28 2ND GENERATION ATGS MANUAL	1	6HP28.MAN01
	VALVE BODY REAMING FIXTURE	1	AG4.VA05
	HYDRAULIC VALVE-BODY LEAKING TESTER	1	TOOL.139
	SONNAX VACUUM TEST STAND KIT (VACTEST-01K)	1	TOOL.220
	SONNAX VACUUM TEST PLATE KIT ZF 6HP19/6HP26/6HP32, FORD 6R60/6R80	1	TOOL.220A
	SONNAX VACUUM TEST PLATE KIT SEAL PAD - ZF 6HP19/6HP26/6HP32, FORD 6R60/6R80	1	TOOL.220B
	SONNAX VACUUM TEST PLATE KIT SEAL PAD - ZF 6HP19/6HP26/6HP32, FORD 6R60/6R80	1	TOOL.220C

## Metal Clad Seals & Seal Rings

## One Way Clutches & Parts

REF	DESCRIPTION	QUANTITY	PART NO
	CONV. LIP SEAL F&S	1	Z-FS-O-27V
	CONV. CLAD SEAL ZF	1	Z-FS-O-2V
	CONV. O-RING F&S	1	Z-PO-25-1-X
	CONV. SEAL F&S (18.03 x 24.00)	1	Z-PO-25-7
	CONV. 6HP26 O-RING INNER DIA 255MM	1	Z-ZF-O-6V
120	ZF PUMP O-RING	1	4HP24.OR01
121	PUMP BODY O RING	1	5HP18.OR02
123	O-RING 6HP26 A CLUTCH & B CLUTCH OUTER	1	6HP26.OR09
123	6HP26/28/A SEAL A CLUTCH PISTON OUTER	1	6HP28A.OR02
124	ZF INNER PISTON O-RING	1	4HP22.OR07
125	5HP24 D CLUTCH OUTER ORING/6HP26 C CLUTCH	1	5HP24.OR10
125	6HP26/28/A SEAL A CLUTCH DAMPER PISTON OUTER	1	6HP28A.OR04
127	5HP24 A CLUTCH INNER ORING	1	5HP24.OR03
128	6HP26 O RING E CLUTCH PISTON OUTER MP10	1	6HP26.OR04
129	6HP19/A O-RING E CLUTCH PISTON OUTER	1	6HP19.OR06
133	6HP26/28/A B CLUTCH ORING PISTON+DAMPER (OUTER)	1	6HP26.OR06
134	4HP14 O RING	1	4HP14.OR06
136	INNER ORING 6HP26 C CLUTCH	1	6HP26.OR08
136	6HP28 LIP SEAL 'C' CLUTCH INNER	1	6HP28A.OR08
137	6HP28 LIP SEAL 'C' CLUTCH OUTER	1	6HP28A.OR07
138	6HP28 LIP SEAL 'D' CLUTCH OUTER	1	6HP28A.OR06
139	5HP19 O-RING A-CLUTCH	1	5HP19.OR13
139	5HP19 O-RING A CLUTCH INNER	1	5HP19.OR16
140	B CLUTCH INNER O-RING	1	6HP19.OR02
141	5HP19 SEAL F CL INNER E CL DAMPER OUTER	1	5HP19.OR09
142	5HP19FL/24A/6HP19A/26A/32A PAN FILLER PLUG O-RING	1	5HP19.OR20
150	4HP18/20/5HP19/6HP19/26 PUMP SEAL (45x58x7) - AM	1	6HP26.MCS01
150	4HP18/20/5HP19/6HP19/26 PUMP SEAL (45x58x7)	1	6HP26.MCS11
151	6HP26 REAR SEAL (RWD) (44x72x8)	1	6HP26.MCS02
152	3HP/4HP22/5HP18/5HP30 SELECTOR SHAFT SEAL (10x18x5)	1	3HP22.MCS03
153	6HP/8HP REAR FLANGE TO OUTPUT SHAFT RUBBER SEAL	1	6HP19.OR08
153	6HP26 REAR FLANGE TO OUTPUT SHAFT CLAD	1	6HP26.MCS04
154	6HP19X/21X/26X/28X CLADSEAL EXT. 4WD (39x72x8)	1	6HP26.MCS03
154	8HP45/70/90/845RE REAR SEAL (AWD) 10-Up (AM)	1	8HP45.MCS13
200	6HP19/26 SHAFT SEALING	1	6HP26.SSR01
201	6HP19/26 SHAFT SEALING RING (REAR OF PUMP)	1	6HP26.SSR02
202	5HP19 INPUT SHAFT SSR E-Clutch Diam 24mm 25x23x2mm	1 - 3	5HP19.SSR03
202	6HP26/28 INPUT SHAFT SEALING RING (25.6x28x2)	3	6HP26.SSR05
203	6HP26 SHAFT SEALING RING B CLUTCH DRUM (2 PER BOX)	2	6HP26.SSR03

## Planets, Ring Gears & Hubs

REF	DESCRIPTION	QUANTITY	PART NO
805	6HP26 FRONT PLANETARY KIT	1	6HP26.PLK01
805	6HP26 FRONT PLANET KIT	1	6HP26.PLK03
806	6HP26 FRONT PLANET OIL DAM 3 PIN	1	6HP26.DAM01
806	6HP26 FRONT PLANET OIL DAM 4 PIN	1	6HP26.DAM02
816	6HP26 REAR PLANETRY KIT	1	6HP26.PLK02

## Snap & Retaining Rings

REF	DESCRIPTION	QUANTITY	PART NO
-----	-------------	----------	---------

REF	DESCRIPTION	QUANTITY	PART NO
	CONV. ZF SPRAG 18 ELEMENTS	1	Z-BW-SP-4

## Overhaul, Repair & Gasket Kits

REF	DESCRIPTION	QUANTITY	PART NO
	6HP26 SUB KIT VALVE BODY PARTS	1	6HP26.GK01
	**M** 6HP26 REPAIR PACK (A051/B051)	1	6HP26.REP01
	**M** 6HP26 REPAIR PACK (A052/B052)	1	6HP26.REP02
O-Kit	6HP26/28 OVERHAULKIT BMW/JAGUAR - OEM - 2001-	1	6HP26.OHK01
O-Kit	6HP26 O/H KIT W/O BONDED VB PLATE 2002-	1	6HP26.OHK02
O-Kit	6HP26/28/A COMBO OVERHAULKIT	1	6HP26.OHK03
O-Kit	6HP28 OVERHAULKIT-04 UP	1	6HP26.OHK04
O-Kit	6HP26/28 OVERHAULKIT BMW/JAGUAR - AM - 2001-	1	6HP26.OHK11

## Pistons, Retainers & Springs

REF	DESCRIPTION	QUANTITY	PART NO
	6HP GEN1 ACCUMULATOR PISTON & SPRING	1	6HP19.VA07
170	6HP26 A CLUTCH PISTON JAG/BMW	1	6HP26.PIS01
170	6HP26 A CLUTCH PISTON (CHECK CODE)	1	6HP26.PIS03
171	6HP26 A CLUTCH DAMPER PISTON JAG/BMW	1	6HP26.PIS02
171	6HP26 A DAMPER PISTON (CHECK CODE)	1	6HP26.PIS04
172	6HP26 E CLUTCH PISTON CHECK CODE	1	6HP26.PIS05
172	6HP26 PISTON E CLUTCH (CHECK CODE)	1	6HP26.PIS09
173	6HP26 E DAMPER PISTON CHECK CODES	1	6HP26.PIS06
174	6HP26 B DAMPER PISTON	1	6HP26.PIS07
177	6HP26 D CLUTCH PISTON (6 PLATE)	1	6HP26.PIS10
177	6HP26 D CLUTCH PISTON (7 PLATE)	1	6HP26.PIS11
178	6HP26 D DAMPER PISTON	1	6HP26.PIS08
410	6HP26 A-CLUTCH DIAPHRAGM SPRING	1	6HP26.DIA01
411	6HP26 E-DIAPHRAGM SPRING	1	6HP26.DIA02
412	6HP26 B-DIAPHRAGM SPRING	1	6HP26.DIA03
413	6HP26 C-BRAKE DIAPHRAGM SPRING	1	6HP26.DIA05
414	6HP26 D-CLUTCH DIAPHRAGM SPRING	1	6HP26.DIA04
656	6HP26/28/A/X B-CLUTCH DIAPHRAGM FIXING WASHER	1	6HP26.RET03
811	6HP26/28/A/X B-CLUTCH PISTON (ALUMINIUM)	1	6HP26.PIS12
813	6HP26 C CLUTCH DIAPHRAGM RETAINER (PAIR)	1	6HP26.RET02

## Pump & Hydraulic Parts

REF	DESCRIPTION	QUANTITY	PART NO
800	6HP21/28 SHORT PUMP ASSY (CHECK CODE)	1	6HP21.PUM01
800	6HP26 PUMP JAG / BMW SHORT PUMP -CHECK MEMO RE: FORD 6R60/75/80	1	6HP26.PUM01
800	6HP26 PUMP	1	6HP26.PUM03
800	6HP26 PUMPBODY W/GEARS	1	6HP26.PUM05
800	6HP28 PUMP BODY AND GEARS-CHECK BOX	1	6HP28.PUM01
802	6HP26 PUMP STATOR ASSY CODE #	1	6HP26.PUM06
802	6HP26 PUMP STATOR	1	6HP26.PUM07
802	6HP26 PUMP STATOR (CHECK BOX CODE)	1	6HP26.PUM09
802	6HP28/28X/28AF STATOR ASSEMBLY	1	6HP28.PUM03
803	6HP26 CENTERING PLATE **USE INSTRUCTIONS**	1	6HP26.PUM04
900	6HP26/28 PUMP SCREW & WASHER M6 X 22MM (1 PER TRANSMISSION)	1	6HP26.NUT04
901	6HP19/26 PUMP SCREW WITH WASHER	11 - 13	6HP19.NUT01
902	6HP21/28 PUMP RELIEF VALVE IN STATOR	1	6HP28.VA01

## Sun Gears, Shells & Supports

REF	DESCRIPTION	QUANTITY	PART NO
-----	-------------	----------	---------

431	6HP19A/6HP28A K RING CLIP	1	6HP28A.RET01
432	6HP26 CIRCLIP CLUTCH A B C 2.20 MM	AR	6HP26.CIR01
432	6HP26 CIRCLIP CLUTCH A B C 2.40MM	AR	6HP26.CIR02
432	6HP26 CIRCLIP CLUTCH A B C 2.60MM	AR	6HP26.CIR03
432	6HP26 CIRCLIP CLUTCH A B C 2.80 MM	AR	6HP26.CIR04
432	6HP26 CIRCLIP CLUTCH A B C 3.00MM	AR	6HP26.CIR05
432	6HP26 CIRCLIP CLUTCH A B C 3.20MM	AR	6HP26.CIR06
432	6HP26 CIRCLIP CLUTCH A B C 3.40MM	AR	6HP26.CIR07
432	6HP26 CIRCLIP CLUTCH A. B. C 3.60MM	AR	6HP26.CIR08
432	"6HP26 CIRCLIP CLUTCH ""A. B. C"" 3.80 MM"	AR	6HP26.CIR09
432	6HP26 CIRCLIP CLUTCH A B C4.00MM	AR	6HP26.CIR10
432	6HP26 CIRCLIP CLUTCH A B C 4.20MM	AR	6HP26.CIR11
432	6HP26 CIRCLIP CLUTCH A B C 4.40MM	AR	6HP26.CIR12
432	6HP26 CIRCLIP CLUTCH A B C 4.60MM	AR	6HP26.CIR13
433	6HP26 SNAPRING FRT PLANET / A CLUTCH DR. 01-	1	6HP26.RET01
435	5HP24 A CLUTCH SEL CIRCLIP 3.0 MM	AR	5HP24.CIR01
435	5HP24 A CLUTCH CIRCLIP 1.8MM	AR	5HP24.CIR04
435	5HP24 A CLUTCH CIRCLIP 2.0MM	AR	5HP24.CIR05
435	5HP24 A CIRCLIP 2.2MM	AR	5HP24.CIR06
435	5HP24 A SEL CIRCLIP 2.40MM	AR	5HP24.CIR07
435	5HP24 A SEL CIRCLIP 2.60MM	AR	5HP24.CIR08
435	5HP24 A SEL CIRCLIP 3.20MM	AR	5HP24.CIR10
435	5HP24 A SEL CIRCLIP 3.40MM	AR	5HP24.CIR11
435	5HP24 A SEL CIRCLIP 3.60MM	AR	5HP24.CIR12
435	5HP24 CIRCLIP A CLUTCH 2.8mm	AR	5HP24.CIR16
437	6HP26/28/A/X B-CLUTCH DIAPHRAGM RETAINING CIRCLIP (FRONT)	1	6HP26.RET05
438	6HP26/28/A/X B-CLUTCH DIAPHRAGM RETAINING CIRCLIP (REAR)	1	6HP26.RET04

805	6HP26 FRONT PLANETARY KIT	1	6HP26.PLK01
805	6HP26 FRONT PLANET KIT	1	6HP26.PLK03
812	6HP26/X/A/28/X/A B CLUTCH DRUM	1	6HP26.DRU09
812	6HP26/X/A/28/X/A B CLUTCH DRUM (CHECK BOX CODE)	1	6HP26.DRU10
815	6HP26.DRUM C BRAKE	1	6HP26.DRU04
815	6HP26 DRUM BRAKE 5 PLATE CHECK BOX CODE	1	6HP26.DRU08
816	6HP26 REAR PLANETRY KIT	1	6HP26.PLK02

## Torque Converters & Parts

REF	DESCRIPTION	QUANTITY	PART NO
	6HP26 CONVERTER JAGUAR G74/Z54/J65 CSR Rebuild	1	6HP26.TC01
	6HP26 CONVERTER JAGUAR G74/Z54/J65 Sachs Rebuild	1	6HP26.TC01A
	6HP26 CONVERTER JAGUAR N62 J76 CSR Rebuild	1	6HP26.TC02
	6HP26 CONVERTER JAGUAR N62 J76 Sachs Rebuild	1	6HP26.TC02A
	6HP26 CONVERTER JAGUAR ( H65/L76/D85/S62 ) CSR Rebuild	1	6HP26.TC03
	6HP26 CONVERTER JAGUAR ( H65/L76/D85/S62 ) Sachs Rebuild	1	6HP26.TC03A
	6HP26 CONVERTER JAGUAR S-TYPE 3.0 V6 K76 B85 CSR Rebuild	1	6HP26.TC04
	6HP26 CONVERTER JAGUAR S-TYPE 3.0 V6 K76 B85 Sachs Rebuild	1	6HP26.TC04A
	6HP26 CONVERTER JAGUAR 2.5 3.0 3.5 V8 C85/N76 CSR Rebuild	1	6HP26.TC05
	6HP26 CONVERTER JAGUAR 2.5 3.0 3.5 V8 ( C85 ) Sachs Rebuild	1	6HP26.TC05A
	6HP26 CONVERTER C85 JAGUAR 2.5 3.0 3.5 V8 OEM ZF	1	6HP26.TC05B
	6HP26 CONVERTER JAGUAR 2.7 V6 S72/F77/Y85 CSR Rebuild	1	6HP26.TC07
	6HP26 CONVERTER JAGUAR 2.7 V6 S72/F77/Y85 Sachs Rebuild	1	6HP26.TC07A
	6HP26 CONVERTER Y85 - ZF EXCHANGE	1	6HP26.TC07B
	JAGUAR&LAND ROVER V6 2.7Y85 ZF REMAN	1	6HP26.TC07C
	6HP26 CONVERTER L/ROVER 4.0 V6 N84 CSR Rebuild	1	6HP26.TC08
	Converter Land Rover N84	1	6HP26.TC08A
	6HP26 CONVERTER L/ROVER 3.6 V6 Y94 CSR Rebuild	1	6HP26.TC09
	CONVERTER 6HP26 Y94 Sachs Rebuild	1	6HP26.TC09A
	6HP26 CONVERTER BMW L93/L62/Z74 CSR Rebuild	1	6HP26.TC10
	6HP26 CONVERTER "NO CODE"	1	6HP26.TC100
	6HP26 CONVERTER BMW L93/L62/Z74 Sachs Rebuild	1	6HP26.TC10A
	6HP26 CONVERTER BMW OEM L93//P65	1	6HP26.TC10B
	6HP26 CONVERTER BMW K93/K62 CSR Rebuild	1	6HP26.TC11
	6HP26 CONVERTER BMW K93/K62 Sachs Rebuild	1	6HP26.TC11A
	6HP26 CONVERTER BMW Z83/Y74/P65/V74/Y73 CSR Rebuild	1	6HP26.TC12
	6HP26 CONVERTER BMW Z83/Y74/P65/V74/Y73 Sachs Rebuild	1	6HP26.TC12A
	6HP26 CONVERTER Z83/Y74/P65/V74 ZF OEM EXCHANGE	1	6HP26.TC12B
	6HP26 CONVERTER BMW Z73 CSR Rebuild	1	6HP26.TC13
	Converter BMW, Z73	1	6HP26.TC13A
	6HP26 CONVERTER BMW F85/H85 CSR Rebuild	1	6HP26.TC14
	6HP26 CONVERTER BMW F85/H85 Sachs Rebuild	1	6HP26.TC14A
	6HP26 CONVERTER BMW F85/H85 ZF OEM EXCHANGE	1	6HP26.TC14B
	6HP26 CONVERTER BMW G85 CSR Rebuild	1	6HP26.TC15
	6HP26 CONVERTER BMW V83 CSR Rebuild	1	6HP26.TC16
	6HP26 CONVERTER V83 Sachs Rebuild	1	6HP26.TC16A
	6HP26 CONVERTER BMW Y83 CSR Rebuild	1	6HP26.TC17
	6HP26 CONVERTER Y83 Sachs Rebuild	1	6HP26.TC17A
	6HP26 CONVERTER BMW C82 CSR Rebuild	1	6HP26.TC18
	6HP26 CONVERTER BMW C82 Sachs Rebuild	1	6HP26.TC18A
	6HP26 CONVERTER C82	1	6HP26.TC18B
	6HP26 CONVERTER BMW A84 D82 CSR Rebuild	1	6HP26.TC19
	6HP26 CONVERTER A84, D82 Sachs Rebuild	1	6HP26.TC19A
	6HP26 CONVERTER K63/J74 CSR Rebuild	1	6HP26.TC26
	6HP26 CONVERTER K63/J74/F93 Sachs Rebuild	1	6HP26.TC26A
	6HP26 CONVERTER D82 CSR Rebuild	1	6HP26.TC29
	6HP26 CONVERTER JAGUAR J93 CSR Rebuild	1	6HP26.TC30
	6HP26 BMW 535 H85	1	6HP26.TC31

6HP26 CONVERTER JAG. B84 Q76 J65 Q76 CSR Rebuild	1	6HP26.TC32
6HP26 CONVERTER JAG. B84 Q76 Sachs Rebuild	1	6HP26.TC32A
6HP28 CONVERTER V102 BMW 3.0D	1	6HP26.TC33
6HP26 CONVERTER N85/J85/G85	1	6HP26.TC34
6HP26 CONVERTER N85/J85 Sachs Rebuild	1	6HP26.TC34A
6HP26 CONVERTER Z92 Sachs Rebuild	1	6HP26.TC35A
ZF code S102/L85 Maserati	1	6HP26.TC42
MASERATI 6HP26 CONVERTER L85 ZF	1	6HP26.TC42B
6HP26 CONVERTER	1	6HP26.TC50
6HP26 CONVERTER	1	6HP26.TC51
6HP26 CONVERTER K74	1	6HP26.TC52
6HP26 CONVERTER J76 JAGUAR	1	6HP26.TC53
6HP26 CONVERTER V74	1	6HP26.TC54
6HP26 CONVERTER L74	1	6HP26.TC55
6HP26 FORD 6R60 JAGUAR 4.2 SUPERCHARGED J65	1	6HP26.TC56
6HP26 JAGUAR 2.7 DIESEL V6 Y85	1	6HP26.TC57
6HP26 TORQUE CONVERTER	1	6HP26.TC58
6HP26 CONVERTER B84 ZF EXCHANGE	1	6HP26.TC59
6HP26 CONVERTER OEM B85	1	6HP26.TC60
"6HP26 CONVERTER ""N107""	1	6HP26.TC62
6HP26 FORD FALCON TC Y84	1	6HP26.TC63
6HP26 CONVERTER V83	1	6HP26.TC64
6HP26 CONVERTER S98	1	6HP26.TC65
6HP26 TORQUE CONVERTER A104	1	6HP26.TC66
6HP28 CONVERTER V102	1	6HP28.TC01
6HP28 CONVERTER V102 Sachs Rebuild	1	6HP28.TC01A
6HP28 CONVERTER V102	1	6HP28.TC01B
6HP28 CONVERTER N107	1	6HP28.TC02
6HP28 CONVERTER N107 Sachs Rebuild	1	6HP28.TC02A
6HP28 CONVERTER D126 / J116	1	6HP28.TC03
6HP28 CONVERTER D126 / J116 Sachs Rebuild	1	6HP28.TC03A
6HP28 CONVERTER P121, Q121	1	6HP28.TC04
6HP28 CONVERTER P121, Q121 Sachs Rebuild	1	6HP28.TC04A
6HP28 CONVERTER S121 Csr Rebuild	1	6HP28.TC05
6HP28 CONVERTER S121 Sachs Rebuild	1	6HP28.TC05A
6HP28 CONVERTER B110	1	6HP28.TC06
6HP28 CONVERTER B110 SACHS	1	6HP28.TC06A
6HP28 CONVERTER B110	1	6HP28.TC06B
6HP28/28X A110 JAG/LAND ROVER 5.0L V8 N/A	1	6HP28.TC09
6HP28/28X A110 JAG/LAND ROVER 5.0L V8 - ZF OEM	1	6HP28.TC09B
6HP28 CONVERTER BMW Q121 - ZF NEW	1	6HP28.TC11
Jaguar V8 5.0 LA110	1	6HP28.TC20
6HP28 CONVERTER C111 / B104 BMW 540i	1	6HP28.TC26
CONV. L/U LINING 9.725x 8.250x .045 HTS	1	Z-B45070HTS
CONV. ZF SPRAG 18 ELEMENTS	1	Z-BW-SP-4
CONV. 6HP26/19 IMPELLER HUB PROCESS 90 45mm DIAM	1	Z-FS-90-10G
6HP26 CLUTCH PLATE W/FRICTIONS 260mm OEM	1	Z-FS-CP-56BW
CONV. NEEDLE BEARING ZF 5HP19/5HP24/6HP19/6HP26/8HP45/8HP55	1	Z-FS-N-4
CONV. 6HP19/26 BALL BEARING FRT	1	Z-FS-N-5
CONV. LIP SEAL F&S	1	Z-FS-O-27V
CONV. CLAD SEAL ZF	1	Z-FS-O-2V
CONV. 6HP26 RETAINER REPAIR RING	1	Z-FS-WS-2
CONVERTER HUB COVER	1	Z-MI-HC-B
CONV. O-RING F&S	1	Z-PO-25-1-X
CONV. SEAL F&S (18.03 x 24.00)	1	Z-PO-25-7
CONV. ZF6HP26 255MM CLUTCH PLATE - 24T / FLAT EXTERNAL - RAYBESTOS	1	Z-RH400628
CONV. ZF6HP26 275MM CLUTCH PLATE - 20T / FLAT EXTERNAL - RAYBESTOS	1	Z-RH400629
CONV. RAYBESTOS ZF 6HP26 CONVERTER ASSEMBLY - SMALL (260MM)	1	Z-RT400626HC
CONV. RAYBESTOS ZF 6HP26 CONVERTER ASSEMBLY - LARGE (280MM)	1	Z-RT400627HC
CONV. 6HP26 255MM LOCK UP PLATE 24 FLAT TAB	1	Z-ZF-CP-1
CONV. 6HP26 280MM 24 BENT TAP LOCK UP PLATE	1	Z-ZF-CP-2
CONV. CLUTCH PLATE 275mm - 20 FLAT TAB	1	Z-ZF-CP-5
CONV. 6HP26 280mm LINING 24TH	1	Z-ZF-CP-6
CONV. 6HP STEEL PLATE 7.57x5.703x0.108	1	Z-ZF-CP-7
CONV. 6HP26 O-RING INNER DIA 255MM	1	Z-ZF-O-6V

## Valve Bodies & Accumulators

REF	DESCRIPTION	QUANTITY	PART NO
	6HP GEN1 VALVEKIT PRESS.REG. OVERSIZE	1	6HP19.VA01
	6HP GEN1 SLEEVE PRESS.REG.(NOT FOR 053VB	1	6HP19.VA03
	6HP GEN1 END PLUG KIT 13 + 17 MM	1	6HP19.VA04
	6HP GEN1 INTERNAL END PLUG KIT 12MM	1	6HP19.VA05
	6HP19/26/32 BOOST VALVE & SLEEVE	1	6HP19.VA06
	6HP GEN1 ACCUMULATOR PISTON & SPRING	1	6HP19.VA07
	6HP GEN1 VALVE KIT LUBRICATION CONTROL	1	6HP19.VA08
	6HP GEN1 VALVE KIT PRESS.REGULATOR	1	6HP19.VA10
	6HP GEN1 VALVE CONV. RELEASE REG.KIT	1	6HP19.VA13
	6HP GEN1 VALVE BYPASS CLUTCH CONTROL	1	6HP19.VA15
	6HP GEN1 VALVE KIT D1/E CLUTCH	1	6HP19.VA17
	6HP GEN1 VALVE KIT A CLUTCH CONTROL	1	6HP19.VA18
	GEN1 OVERSIZED PRESS REG VALVE (FOR 053	1	6HP19.VA22
	6HP GEN1 SLEEVE PRESS. REG. (use with 053 VB plate only)	1	6HP19.VA24
	6HP GEN1 END PLUG KIT 13+17MM (053 VB PLATE	1	6HP19.VA25
	6HP26 OVERSIZED E LATCH VALVE KIT (SHORT	1	6HP19.VA26
	ZF 6HP19/26/32 & FORD 6R60/6R75/6R80 OVERSIZED C-CLUTCH REGULATOR VALVE	1	6HP19.VA28
	6HP19/26/32 PLUG ZIPKIT VALVE BODY (GENERATION 1 ONLY - NOT FOR A053/B053 SEPARATOR PLATE)	1	6HP19.ZIP01
	6HP21/28 PLUG ZIPKIT VALVE BODY (GENERATION 2 ONLY)	1	6HP19.ZIP02
	6HP19/26/32 PLUG ZIPKIT VALVE BODY (GENERATION 1 ONLY - FOR A053/B053 SEPARATOR PLATE ONLY)	1	6HP19.ZIP03
	6HP21/28/34 CLUTCH A & E CONTROL BOOST VALVE & SLEEVE KIT	1	6HP21.VA01
	6HP21/28/34 PRESSURE REGULATOR SLEEVE	1	6HP21.VA02
	6HP GEN2 OVERSIZED CLUTCH A & E CONTROL VALVE KIT	1	6HP21.VA03
	6HP GEN2 O-RINGKIT END PLUG 13&15MM	1	6HP21.VA05
	6HP GEN2 O-RING END PLUGKIT 12MM	1	6HP21.VA06
	6HP GEN2 VALVEKIT A&E CLTCH OVERSIZED	1	6HP21.VA09
	6HP GEN2 VALVEKIT LUBE CONTROL OVERSIZED	1	6HP21.VA11
	6HP GEN2 VALVEKIT POSITION VALVE OVERSIZED	1	6HP21.VA13
	6HP GEN2 VALVEKIT SHIFTVALVE 3 OVERSIZED	1	6HP21.VA15
	6HP GEN2 VALVEKIT SOLENOID PRESS. OVERSIZED	1	6HP21.VA17
	6HP GEN2 VALVE KIT PRESS.REG.	1	6HP21.VA19
	**M** 6HP26 REPAIR PACK (A051/B051)	1	6HP26.REP01
	**M** 6HP26 REPAIR PACK (A052/B052)	1	6HP26.REP02
	6HP26/19/6R60 VALVE BODY PLUG KIT (SUPERIOR)	1	6HP26.VA02
	TRANSGO 6R60/75/80 SHIFT KIT-ALSO FITS ZF 6HP19/26/32	1	6R80E.SK01
	TRANSGO 6R60/75/80 - ZF 6HP19/26/32 VALVE AND REAMER KIT	1	6R80E.SK02
	TRANSGO REFILL KIT FOR 6R80E.SK02	1	6R80E.SK03
750	6HP26 VALVE BODY / MECHATRONIC OEM exchange The use of incorrect fluid may cause damage to internal parts. ZF will not accept any warranty unless the correct specifications ZF Lifeguard oil is used. **Please check the attached instructions on the box carefully for correct return of the core	1	6HP26.VB01
750	6HP26 VALVE BODY - HYDRAULIC REMAN (R&R ONLY) (NO EGS)	1	6HP26.VB01D
750	6HP28 /21VALVE BODY OEM EXCHANGE The use of incorrect fluid may cause damage to internal parts. ZF will not accept any warranty unless the correct specifications ZF Lifeguard oil is used. **Please check the attached instructions on the box carefully for correct return of the core	1	6HP28.VB01
750	6HP28 VALVE BODY - HYDRAULIC REMAN (R&R ONLY) (NO EGS)	1	6HP28.VB01D
751	6HP19/26 VB - MAIN CASE TUBE 25.9MM (2 PER BOX)	1 - 2	6HP26.TU01
752	6HP26/32 VB - MAIN CASE TUBE 31.4MM	1	6HP26.TU02
753	6HP26/32 VB - MAIN CASE TUBE 40.7MM	1	6HP26.TU03
754	6HP26/28/32 VB-MAIN CASE ADAPTER (WITH KEY)	1	6HP26.TU04
754	6HP26/28/32 VB-MAIN CASE ADAPTER (WITHOUT KEY)	1	6HP26.TU06
755	6HP26 VALVE BODY SPRING W/CAP	2	6HP26.VA01
756	VALVE BODY PISTON ACCUMULATOR ( LATE	1 - 7	5HP19.ACC02
756	VALVE BODY PISTON ACCUMULATOR (LATE	1 - 7	5HP19.ACC52
760	6HP21/28 VB SEPERATOR PLATE GEN 2(#210:A063/B063) - ZF	1	6HP21.SP01



760	6HP21/6HP28 VALVEBODY SEPARATOR PLATE GEN-2 (A065/B065) - ZF	1	6HP21.SP02
760	6HP21/28/34 VB SEPARATOR PLATE GEN-2 (A063/B063)	1	6HP21.SP51
760	6HP21/28/34 VB SEPARATOR PLATE GEN-2 (A065/B065)	1	6HP21.SP52
760	6HP26 VB GEN-1 SPACERPLATE #180 (A052/B052)	1	6HP26.SP01
760	6HP26 VB GEN-1 SPACERPLATE #141 (A035/B035)	1	6HP26.SP02
760	6HP26 VB SPACERPLATE #179/162 (A-B051/A-B046/A-B036)	1	6HP26.SP03
760	6HP26 VB SPACERPLATE #163 (A047/B047)	1	6HP26.SP04
760	6HP26 VB SPACERPLATE #189 (A053/B053)	1	6HP26.SP05
760	6HP19/26 GEN-1 VB PLATE A052/B052 AM	1	6HP26.SP51
760	6HP19/26 GEN-1 VB PLATE A035/B035 AM	1	6HP26.SP52
760	6HP19/26 GEN-1 VB PLATE A051/B051 AM	1	6HP26.SP53
760	6HP19/26 GEN-1 VB PLATE A047/B047 AM	1	6HP26.SP54
760	6HP19/26 GEN-1 VB PLATE A053/B053 AM	1	6HP26.SP55

2. [6HP26 Transmission Catalogue](#)[Print this catalogue](#)[Favourite](#)

# 6HP26 Transmission Catalogue

6HP26 [1068 010 xxx, 1068010xxx]

For transmissions:

1068 010 1068.010 1068010 6 HP 26 6-HP-26 6HP26 [Show more](#)

- 6-speed

- Automatic Transmission
- ZF

- [Product map](#)
- [Products](#)

[Filter results](#)

## Productgroup

### Basic Overhaul Parts

[Select all](#)  Bushing Kits (4)  Filters - Pan (7)  Filters - Transmission (6)  Friction Plate Kits (9)  Mechatronics (2)  Oils (8)  Overhaul Kits (7)  Repair Kits (2)  Service Kits (3)  Solenoid Kits (4)  Steel Plate Kits (2)  Torque Converters (91)  Valve Bodies (2)

### Bearings, Bushings & Washers

[Select all](#)  Bearings - Ball (2)  Bearings - Needle Roller (2)  Bearings - Thrust (8)  Bushing Kits (4)  Bushings (15)  Shims (18)  Washers - Sealing (1)

### Bolts, Nuts & Mounting Parts

[Select all](#)  Connectors (1)  Nuts (1)  Plugs (2)  Screws (6)

### Differential & Output Parts

[Select all](#)  Nuts (1)

### Dipsticks, Oil & Related Parts

[Select all](#)  Oils (8)  Plugs (2)

### Drums, Clutch Hubs & Shafts

[Select all](#)  Drums (8)  Hubs - Clutch (1)  Shafts - Input (3)  Shafts - Intermediate (1)  Shafts - Output (6)

### Electrical Parts

[Select all](#)  Capacitors (1)  Connectors (1)  Solenoid Kits (4)  Solenoids (8)

### Filters & Screens

[Select all](#)  Filter Kits (5)  Filters - Pan (7)  Filters - Transmission (6)  Service Kits (3)

### Friction & Steel Plates

[Select all](#)  Clutch Plate Kits (2)  Friction Plate Kits (9)  Friction Plates (18)  Pressure Plates (5)  Steel Plate Kits (2)  Steel Plates (12)

### Gaskets, Seals & Closing Parts

[Select all](#)  Gaskets (9)  Seal Sleeves (3)

### Housings, Cases & Parts

[Select all](#)  Breathers (2)  Oil Pans (10)  Plugs (4)  Screws (4)  Shafts - Selector (1)

### Manuals, Tools & Consumables

[Select all](#)  Manuals (3)  Tools - Diagnostic (7)  Tools - Transmission (3)  Tools - Valve Body (15)

### Metal Clad Seals & Seal Rings

[Select all](#)  Metal Clad Seals (10)  Seal Rings - O-Rings (24)  Seal Rings - Solid (5)

### One Way Clutches & Parts

[Select all](#)  Sprags (1)

### Overhaul, Repair & Gasket Kits

[Select all](#)  Gasket Kits (1)  Overhaul Kits (7)  Repair Kits (2)

### Pistons, Retainers & Springs

[Select all](#)  Pistons (13)  Retainers (2)  Springs - Diaphragm (5)

### Planets, Ring Gears & Hubs

[Select all](#)  Oil Dams (2)  Planetary Kits (3)  Planets (3)

### Pump & Hydraulic Parts

[Select all](#)  Centering Plates (1)  Pumps (5)  Screws (2)  Stators (4)  Valves (1)

### Snap & Retaining Rings

[Select all](#)  Retaining Rings (1)  Snap Rings (26)

### Sun Gears, Shells & Supports

[Select all](#)  Shafts - Sun Gear (2)  Sun Gears (3)  Supports - Center (2)

### Torque Converters & Parts

[Select all](#)  Bearings - Ball (1)  Bearings - Thrust (1)  Covers (1)  Friction Plates (9)  Friction Rings (1)  Hubs - Impeller (1)  Metal Clad Seals (2)  Retainers (1)  Seal Rings - O-Rings (3)  Sprags (1)  Steel Plates (1)  Torque Converters (91)

### Valve Bodies & Accumulators

[Select all](#)  Adapters (2)  Mechatronics (2)  Pistons (5)  Plugs (20)  Repair Kits (20)  Seal Sleeves (3)  Separator Plates (16)  Shift Kits (6)  Sleeves (10)  Springs - Coil (8)  Valve Bodies (2)  Valves (19)

[Toon resultaten](#)[Quick order](#)



## Quick order

Enter the AC part number here to order. If you're not sure, you can [search using our vehicle lookup...](#)

[Proceed to checkout](#)

Recent searches: