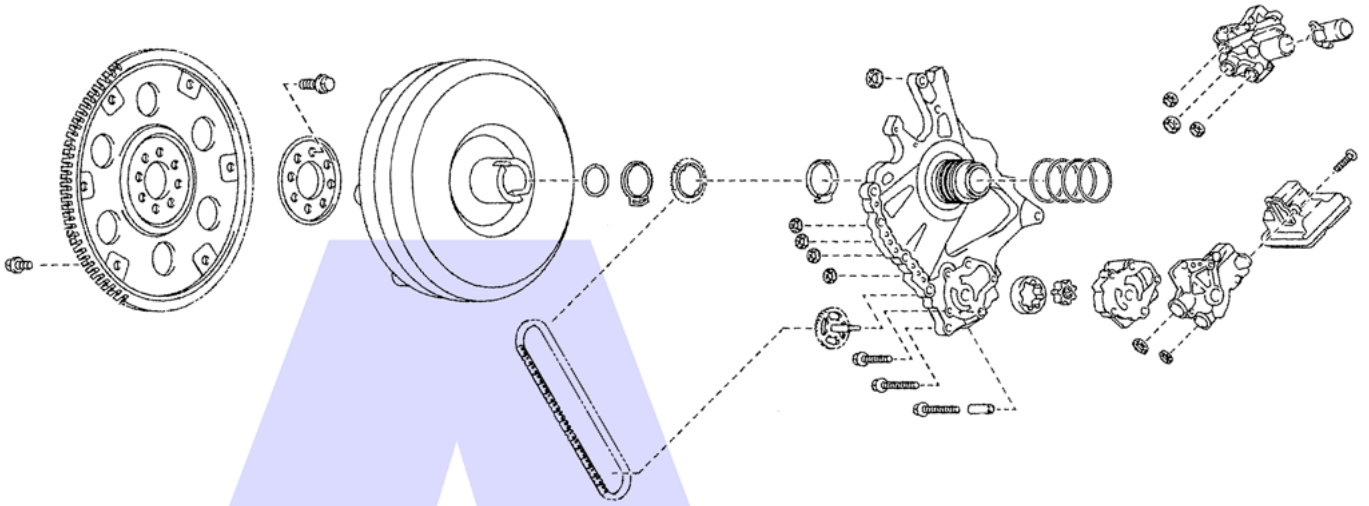
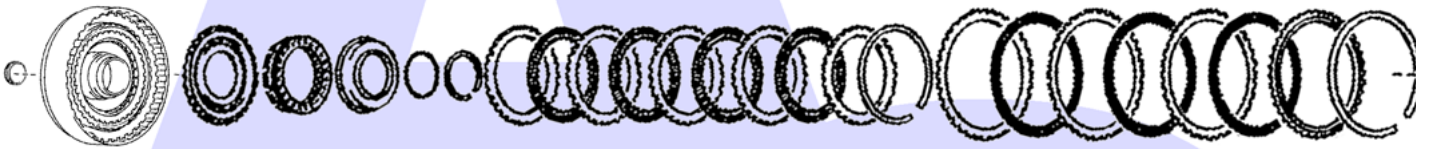


**A**



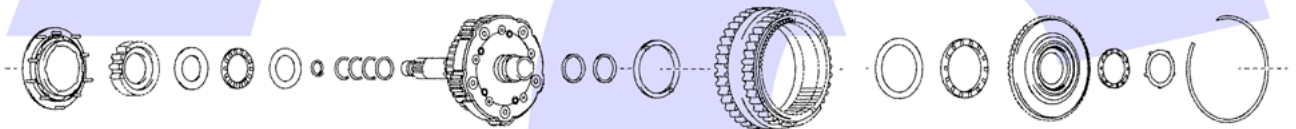
Torque Convert, Oil Pump & Filter

**B**



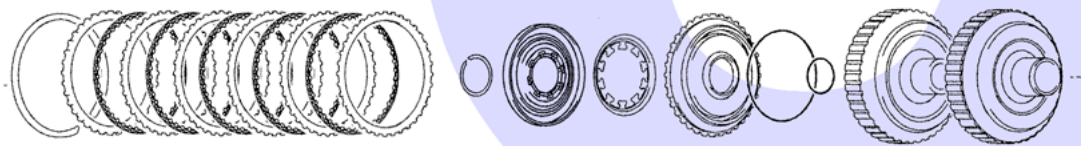
C4 & C3 Clutches

**C**



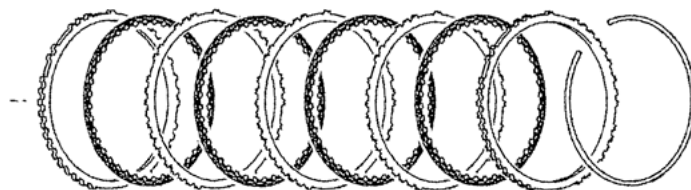
Front Sun Gear, Front Planetary, Ring Gear & Flange

**D**



C1 (Forward) Clutch

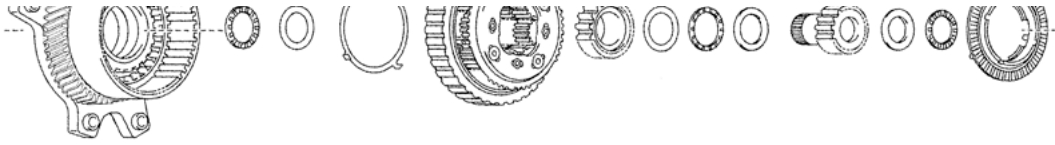
**E**



B1 Brake

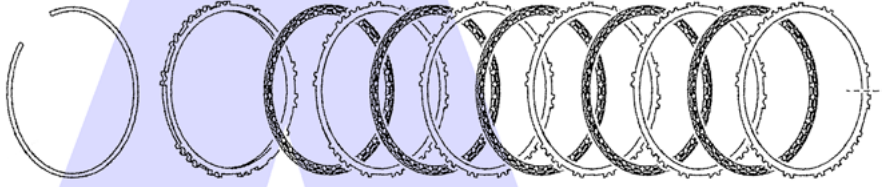
**F**





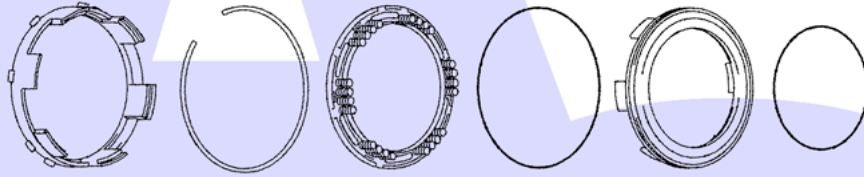
Counter Shaft Drive Gear, Rear Planetary & Sun Gears

G



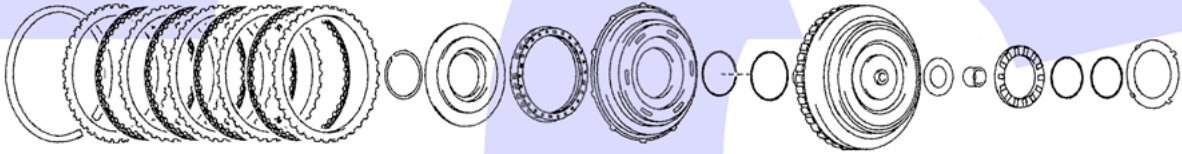
B2 Brake (1st & Reverse)

H



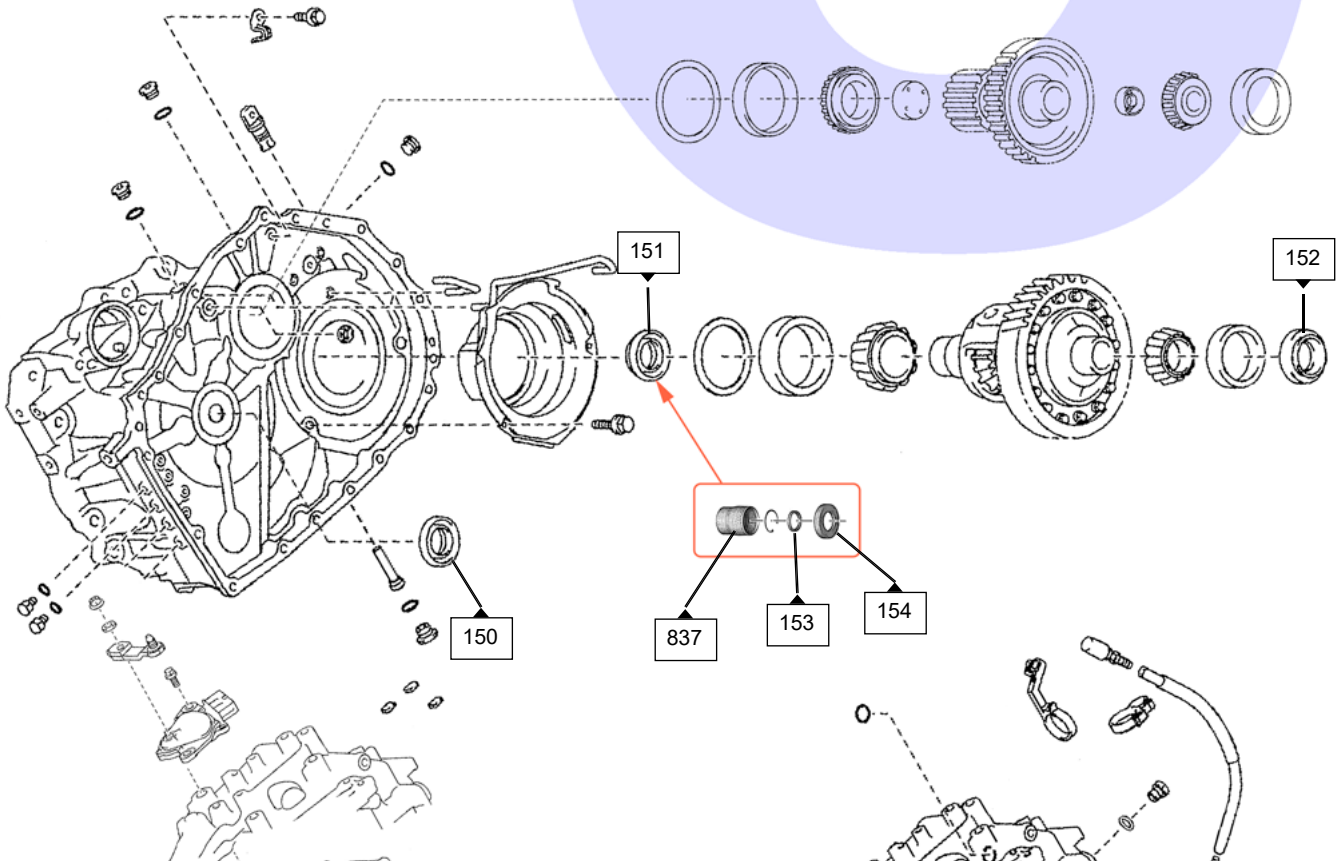
B2 Piston

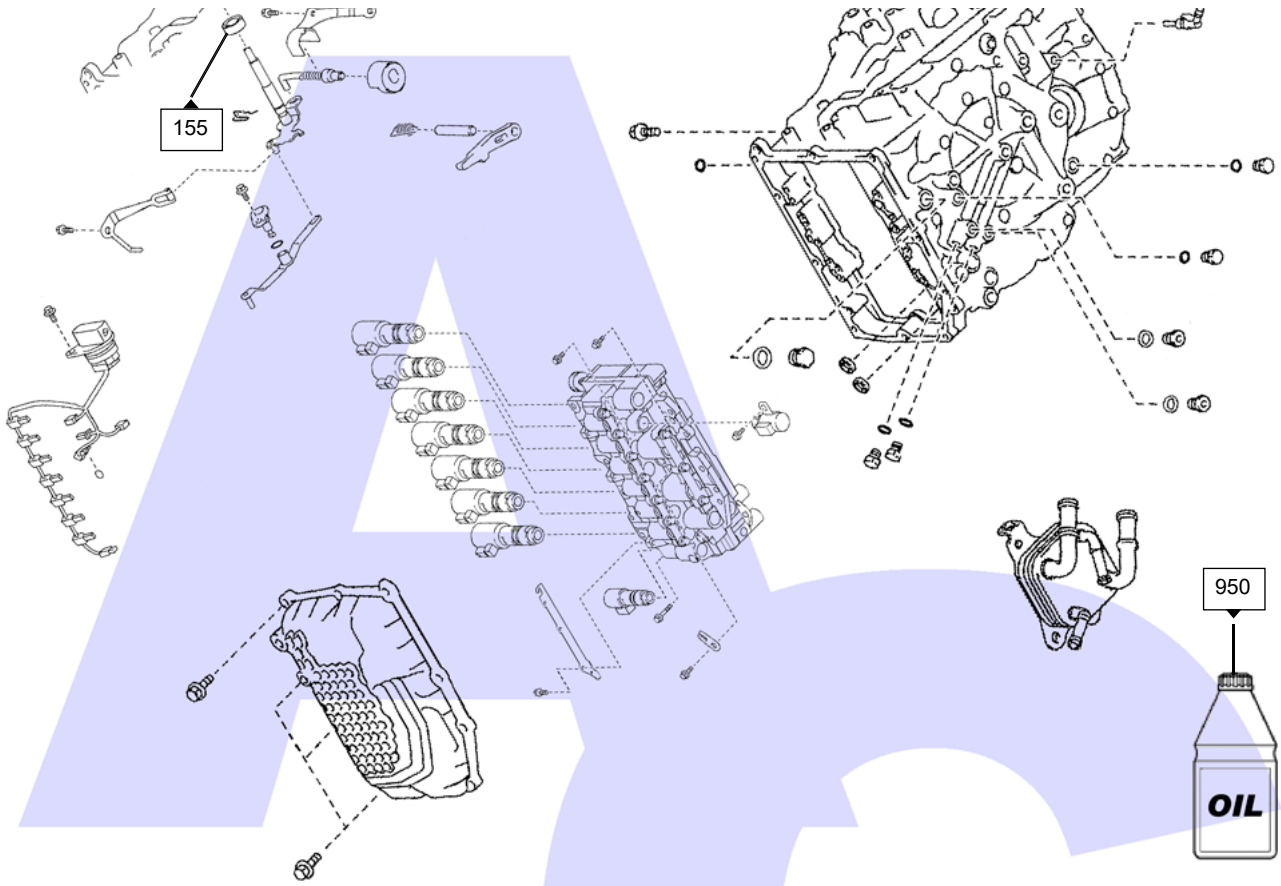
J



C2 Clutch (Direct)

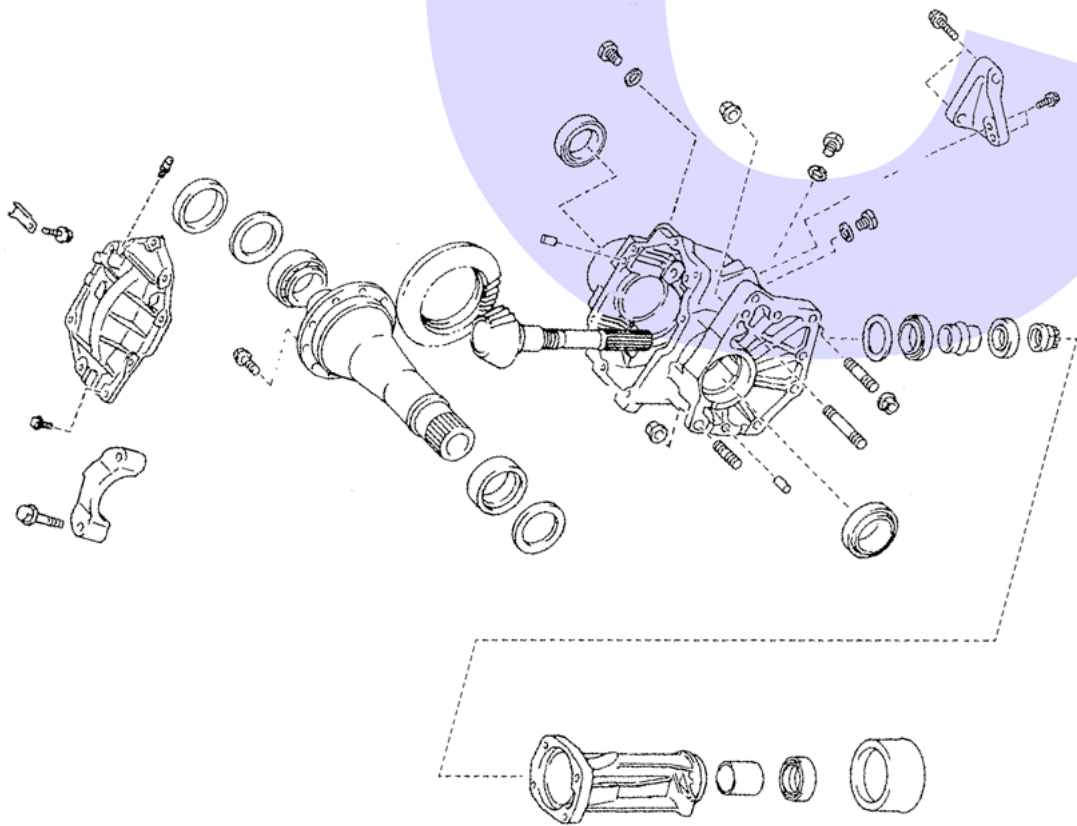
K





Casings, Differential, Counter Shaft and Valve Body Etc.

L



AWD Transfer Case